

# RK8-HDX-ULT

8-PORT HDMI, IR, RS232 AND POWER EXTENDER RACK OVER CAT5E/6



CONSOLIDATE UP TO EIGHT 4K HDMI EXTENDERS IN ONE POWERED RACK UNIT TO TRANSMIT HD SIGNALS UP TO 450 FEET AWAY USING CAT5E/6 CABLES

## FEATURES

- Extends HDMI, IR, and Power Output over Cat5e/6
- Extends IR Control Signals for Remote Control
- Supports 1080p/60fps and 4K/30Hz resolution
- Supports Power over Ethernet (PoE) up to 300 ft
- Transmits up to 450 feet when both sides are powered
- Data Signals up to 3.4Gbps
- HDCP compliant; EDID learning
- Bi-directional IR and RS-232 control
- LED status indicators
- Rack mountable
- Up to 8 units on single rack

## APPLICATIONS

- Home Theater
- Corporate/Educational Presentations
- Call Centers
- Industrial (Long-Range Workstation Isolation)
- Information Terminals/Kiosks
- Airport Installations
- Educational Environments with Remote Displays



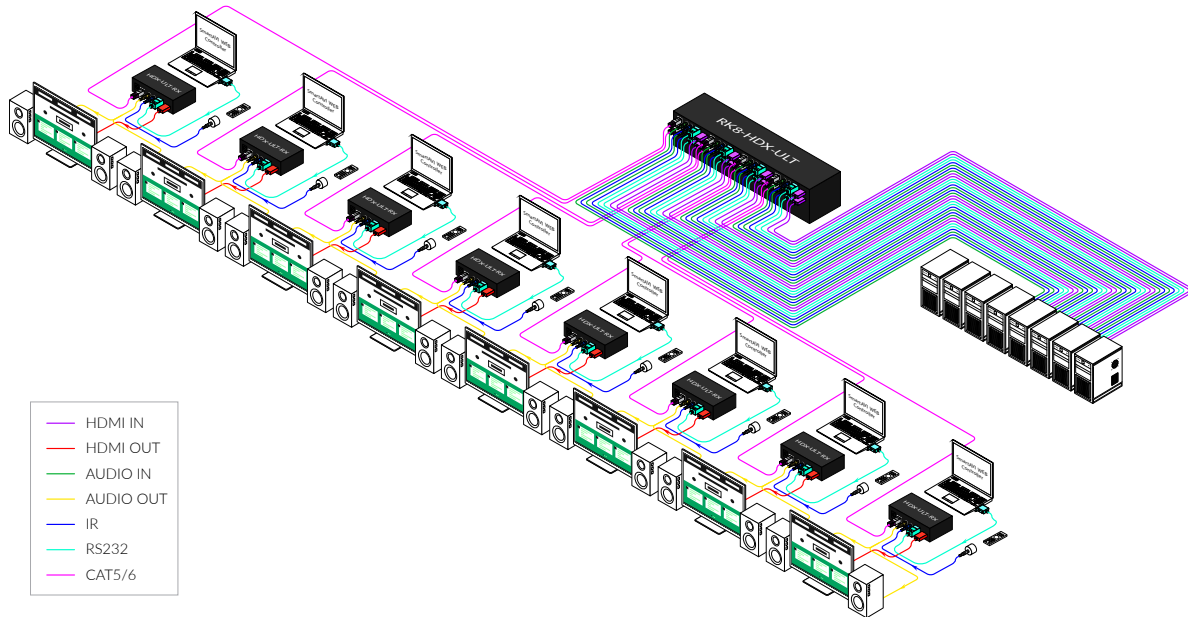
Designed and Manufactured in the USA

# OVERVIEW

The RK8-HDX-ULT is the perfect solution for extending 4K HDMI signals to 8 remote locations 300 feet via PoE or up to 450 feet when both sides are powered, ensuring peak performance when transmitting ultra-high quality picture resolutions. The RK8-HDX-ULT is the perfect extender solution for any system, and works in tandem with SmartAVI matrixes for robust routing configurations. Plus, with RS-232 and IR remote control, taking command is convenient and easy every time!

It is the ideal way to consolidate up to eight workstation computers into one location. It is fully compatible with MAC, PC and LINUX HDMI standards. Up to eight displays can be extended easily from a rack without the mess or expense of multiple extenders. Rather than buy multiple extenders for rack components, and having to find power strips or numerous power outlets for the adapters, the SmartAVI rack series of extenders allows for up to eight transmitters and eight receivers with only one power supply.

Whether it's for a home entertainment system or a commercial installation, the RK8-HDX-ULT delivers flexibility and control. Don't let the distance bring your system down: let the RK8-HDX-ULT extend your reach today!



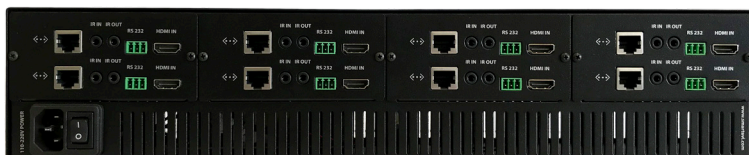
## RACK TO ENDPOINT

If your company uses a rack of source devices, whether it be computer servers, DVD players or other hardware, the RK8-HDX-ULT allows you to run all of those components into one extension box that supports up to eight inputs/outputs on one power supply. In this example, source signals are being routed from a company rack through the RK8-HDX-ULT to multiple displays. The rack utilizes SmartAVI's HDX-ULT-RX receiver unit at the end point to convert the Cat5e/6 feed back into an HDMI signal.

## FRONT AND BACK



RK8-HDX-ULT Front



RK8-HDX-ULT Back

# HLX-ULT-RX

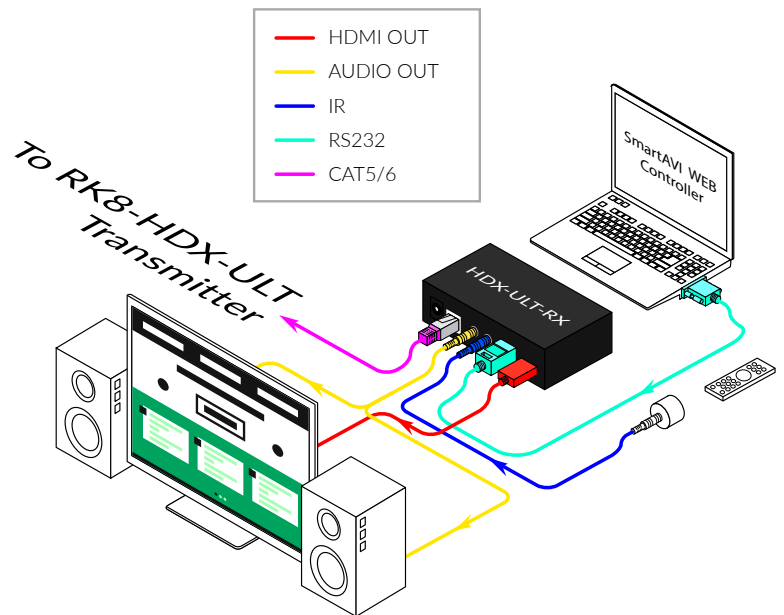
SmartAVI's HDX-ULT-RX is an innovative solution to extending any HDMI signal – be it a gaming console, Blu-Ray player, computer, etc. – over inexpensive Cat5/e6 STP cabling up to 450 feet away to one remote display and one local screen for realtime monitoring of content. This is the perfect solution for broadcasting high-definition media easily and inexpensively from a source to display screen for customers to view while keeping the CPU in a remote, secure location such as a computer room or back office of a business. Utilizing the HDX-ULT-RX, users can monitor what's being shown to customers in real-time via a local display while users retain full control over the CPU or HDMI source, accessible only by key personnel. The HDX-ULT-RX is a compact unit that is easily integrated into a digital display network in a retail store, bar/lounge or other venue. The receiver unit is small and light, which makes inclusion into infrastructure very simple.



HDX-ULT-RX Front



HDX-ULT-RX Back



TECHNICAL SPECIFICATIONS	
Video Output	HDMI 1.3 and HDCP compliant
IR	3.5 mm Jack Socket (Female)
Resolution	480p, 720p, 1080i, 1080p/60Hz/48bit, 4K/30Hz
Dimensions	5"W x 1.125"H x 4.125"D
Input	(1) RJ-45
Power Adaptor	External 100-240 VAC/12V3A @30W

# TECHNICAL SPECIFICATIONS

VIDEO	
Format	HDMI 1.3 (HDCP Compliant)
Resolutions	800x600, 1024x768, 1280x1024, 1366x768, 1920x1200, 480i, 720p, 1080i, 1080p, 4K x 2K @30Hz @24bit
Transmission Distance	450 feet (135 meters)
Color Depth	Deep Color 36/30/24 Bit at 1080p and 3D
Audio Format	Up to PCM 8 channel, Dolby Digital TrueHD, and DTS-HD Master Audio
IR Range	38kHz, 56kHz
Video Bandwidth	10.2Gbps
Input Video Signal	1.2 Volts P-P
Input DDC Signal	1.5 Volts (TTL)

I/O CONNECTOR (Transmitter)	
Input	(8) HDMI-A 19-pin (female)
Output	(8) RJ45 Jack

PART NO.	DESCRIPTION
RK8-HDX-ULT-S	HDMI, RS232 and IR 8-Port Rackmount Extender Transmitter over a Single Cat5e/6 Cable. Includes: [RK8- HDXULT-TX, CCWPWR]
HLX-ULT-RX-S	HDMI, RS232 and IR over CAT5/5e/6 Receiver. Includes: [HDX-ULT-RX, PS5VD2A]

I/O CONNECTOR (RECEIVER)	
Input	(1) RJ45 Jack
Output	(1) 3.5mm Jack for IR Emitter (1) HDMI-A 19-pin (female)

OTHER	
Power	110/220V
Dimensions	17"W x 3.6"H x 3"D
Weight	4.3 lbs
Approvals	UL, CE, ROHS Compliant
Operating Temperature	0 to 40° C (32° to 104° F)
Storage Temperature	-20° to 60°C (-4° to 140° F)
Humidity	10% to 85% (Non-condensing)

[www.smartavi.com](http://www.smartavi.com)

Tel: (800) AVI-2131 • (702) 800-0005  
2455 W Cheyenne Ave, Suite 112  
North Las Vegas, NV 89032

**Smart-AVI**  
SMART AUDIO VIDEO INNOVATION