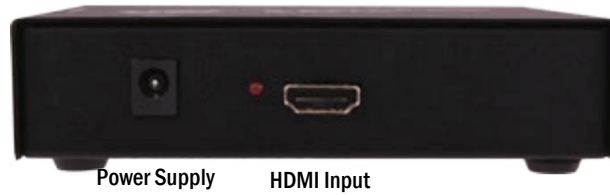


## TECHNICAL SPECIFICATIONS

Video Amplifier Bandwidth	3.2G
Input Ports	(1) HDMI
Input Video Signal	Video (TMDS) 0.5~1.0Vpp
Output Ports	(3) RCA, (1) HDMI
Supported Signals	HDMI Standard, DVI and HDCP compliant
Input DDC Signal	5 volts p-p(TTL)
Input Equalization	Automatic
Input Cable Length	Up to 20 ft.
Output Cable Length	Up to 20 ft.
Format	4:4:4 and 4:2:2 data input formats
Dimensions	4.45" W x 1.125" H x 4" D
HDMI Output Resolutions	480p, 576p, 720p, 1080i 1080p @ 60hz
CVBS Output Resolutions	NTSC (480i) and PAL (576i)
Power	5VDC, 2A

### V2V-HDAV FRONT



### V2V-HDAV BACK



**Smart-AVI**  
SMART AUDIO VIDEO INNOVATION

## V2V-HDAV



**HDMI 1080p TO COMPOSITE (CVBS)  
DOWNSCALER WITH HDMI LOCAL LOOP**

## WHAT'S IN THE BOX?

PART NO.	QTY	DESCRIPTION
V2V-HDAVS	1	HDMI to AV Converter/ Down-scaler. Includes: V2V-HDAV & (PS5VD2A)]



Designed and Manufactured in the USA

**800.AVI.2131**

Tel: (818) 503-6200 Fax: (818) 503-6208  
11651 Vanowen St. North Hollywood, CA 91605

**SmartAVI.com**

**USER MANUAL**

## INTRODUCTION

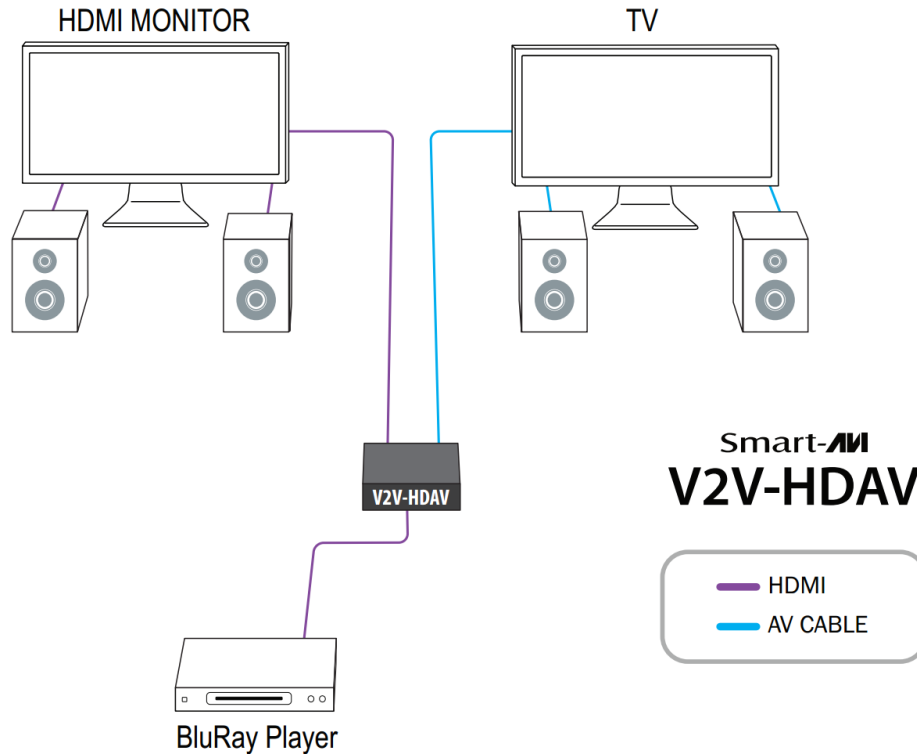
As high-definition signals and routing have become the dominate sources in the AV world thanks to the prevalence of HD television and Blu-ray players, many users have found some of their previous and established AV systems have become obsolete. Upgrading a system to handle 1080p video and digital audio inputs can be extremely costly, especially if the user's system works just fine.

Using that feedback from customers, SmartAVI developed a user-friendly and inexpensive solution for such systems. The V2V-HDAV takes an HDMI input and downscales the signal to a composite video signal, allowing users to bridge the gap between the latest advances in HD signals and the older displays and audio receivers that many systems still rely on and use effectively.

## FEATURES

- Hardware conversion, plug and play without any software driver
- HDMI 1.3 compatible
- Support NTSC and PAL two standard TV formats
- One HDMI input, one HDMI output, one AV output, one stereo output
- HDMI input: 480P, 576P, 720P, 1080i, 1080P @ 60Hz
- Compatible with DVI mode 800x600,1024x768, 1280x720, 1280x1024, 1920x1080 @ 60hz
- Supports the HDCP protocol
- Support for HDMI 1.3
- CVBS output: 480i, 576i

## APPLICATION DIAGRAM



## APPLICATIONS

- Video Conferencing
- Video Capture
- Video Walls
- Education
- Security Systems
- Video Modulation
- Multimedia Presentations
- Video Installation

## CONNECTING THE V2V-HDAV

1. Turn ON the V2V-HDAV.
2. Connect an HDMI cable from the HDMI input device to the HDMI input of the V2V-HDAV.
3. Connect an RCA composite cable from your video output device (TV or monitor) to the RCA connector of the V2V-HDAV.
4. Optionally connect an HDMI TV or monitor to the local HDMI pass-through output of the V2V-HDAV.
5. Choose between NTSC (480i) or PAL (576i) standard using the selector switch.