

# HDX-ULTIMATE

4K-READY POE CAT5E/6 HD EXTENDER



**POE CAT5E/6 EXTENDER FOR HDMI, RS-232, AND IR CONTROL  
WATCH AND COMMAND 1080P/4K HDTV FROM 450 FT AWAY**

## FEATURES

- Supports POE: Can be powered by TX or RX
- CAT6 extends signals over 450ft
- Powered over Ethernet (PoE)
- (1) HDMI output for HDTV support
- Supports 1080p/60fps and 4K/30Hz resolution
- Up to 10.2 Gbps ultra-high bandwidth
- HDCP compliant; EDID learning
- Bi-directional IR and RS-232 control
- LED status indicators
- Rack optional

## APPLICATIONS

- Digital Signage
- Corporate Communications
- Classrooms
- Business Slideshows
- Entertainment Venues
- Airport
- Government Presentations
- Law Enforcement Facilities
- ... and many more!

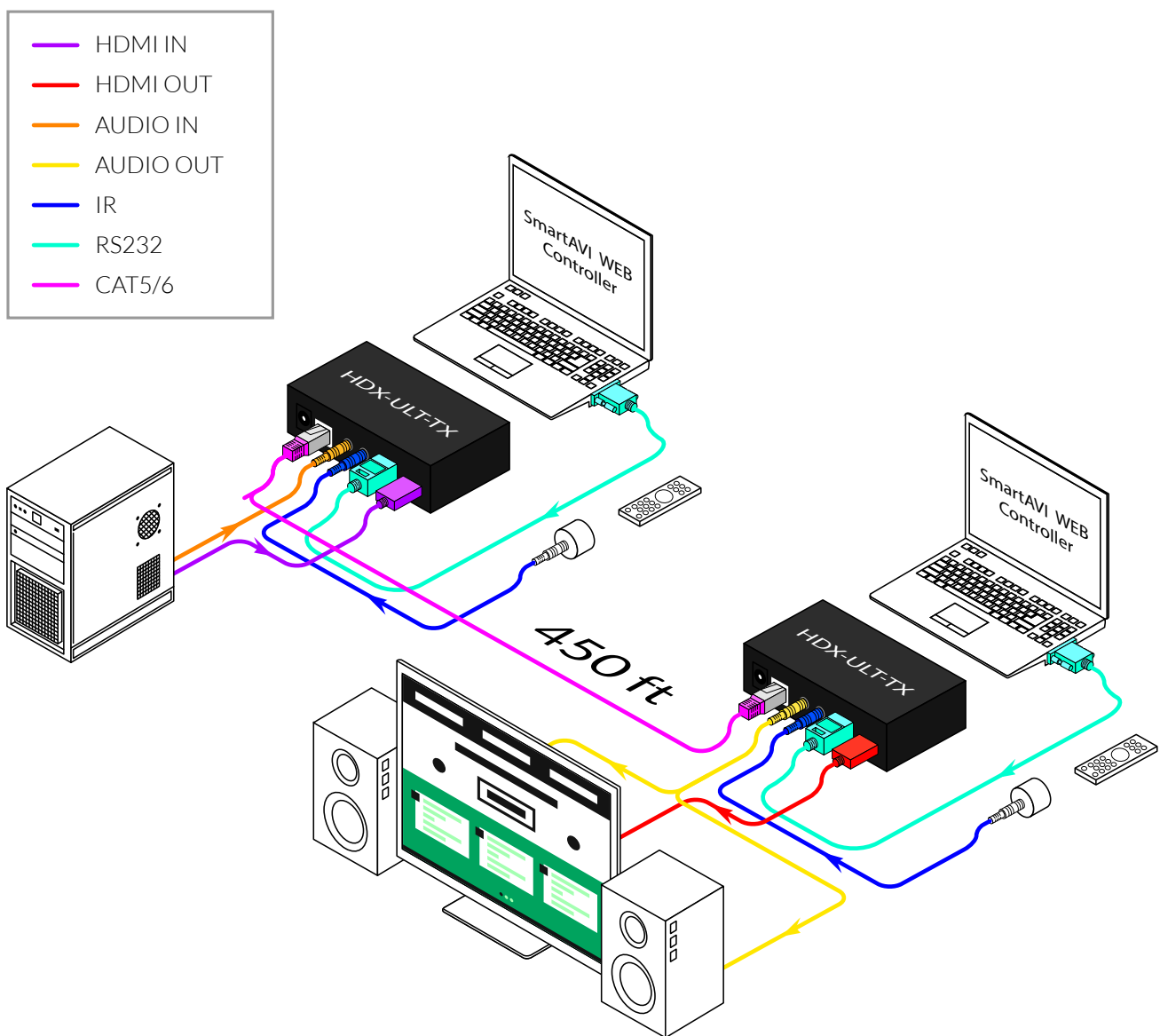


Designed and Manufactured in the USA

# OVERVIEW

The HDX-Ultimate uses only one CAT5e cable to extend 4K HDMI signals hundreds of feet from their source. The HDX-Ultimate is a crucial extender for any system, and works in tandem with SmartAVI matrixes for robust routing configurations. Control and extend setups up to 300 ft per side, and 450 ft when both are powered. Plus, with RS-232 and IR remote control, taking command is convenient and easy every time!

Whether it's for a home entertainment system or a commercial installation, the HDX-Ultimate delivers flexibility and control. Don't let the distance bring your system down: let the HDX-Ultimate extend your reach today!



# EXTEND FOR ANY APPLICATION IN ANY ENVIRONMENT

## SECURITY

When managing content in high-security environments, creating a safe and secure control room is critical. In the vast majority of such applications, that requires routing signals from a server room, where the computers are safely stored, to a control room, where approved personnel access the data and video feeds. Whether that's in a security surveillance center, an operations control room or some other security-related environment, being able to extend video, audio and USB is a must.

The HDX-ULT provides system architects with the flexibility they need to create secure environments for servers as well as the end users accessing those computers. And with video signal extension, users can manage their connected computers with expanded display options, enabling them to stay in control of their content at all times.

## DIGITAL SIGNAGE

Managing a multi-screen digital signage solution requires some important foresight regarding the signal path to those informative and attractive displays. Particularly when it comes to properly scheduled, updated and managed content being displayed, it's much more efficient to keep all of the digital signage hardware in one central location and to extend the video signals out from there.

That means signal extension is an important part of a smart digital signage solution, and the HDX-ULT gives users the flexibility they want and need to place their digital signage screens in the right locations to maximize their effectiveness.

## AUDIO AND VISUAL RECORDING

For users in the recording arts, maintaining the utmost in signal and recording fidelity is an absolute necessity. For video recording, it is often important that no unsightly computers are visible. Similarly, audio engineers must keep noisy computers away from the rooms where recording happens to ensure the final product sounds professional. In both such instances, the HDX-ULT gives users the ideal way to keep their servers or computers away from areas that audio or video recording is being done, ensuring a better final product.

## EXTENDER UNITS



HDX-ULT-TX Front



HDX-ULT-TX Back



HDX-ULT-RX Front



HDX-ULT-RX Back

# TECHNICAL SPECIFICATIONS

VIDEO & AUDIO	
Format	HDMI 1.3 and HDCP compliant
Input Interface (TX)	(1) HDMI 19-pin (female)
Output Interface (RX)	(1) HDMI 19-pin (female)
HDTV Resolutions	480p, 720p, 1080i, 1080p/60Hz/48bit, 4K/30Hz
Audio Format	HDMI Digital Audio
Input Cable Length	Up to 20 ft
Output Cable Length	Up to 20 ft

IR	
Signal Type	38 KHz
Interface	3.5 mm Jack Socket (Female)

RS-232	
Interface	3-pin terminal block

SYSTEM	
Input Interface (TX)	(1) RJ-45
Output Interface (RX)	(1) RJ-45

MECHANICAL	
Power	External 100-240 VAC/12V3A @30W
Dimensions	5"W x 1.125"H x 4.125"D
Weight	0.6 lbs
Approvals	UL, CE, ROHS Compliant
Operating Temperature	32-131°F (0-55° C)
Storage Temperature	-4-185 °F (-20-85 °C)
Humidity	Up to 95%

PART NO.	DESCRIPTION
HDX-ULT-S	HDMI, IR, and RS-232 PoE Extender over a Single CAT5e/6 Cable. Includes: [HDX-ULT-TX-S, HDX-ULT-RX-S, and 2 x (PS12VD2A-WLLMNT)]
HDX-ULT-TX-S	HDMI, IR, and RS-232 PoE Transmitter over a Single CAT5e/6 Cable. Includes: [HDX-ULT-TX-S, and PS12VD2A-WLLMNT]
HDX-ULT-RX-S	HDMI, IR, and RS-232 PoE Receiver over a Single CAT5e/6 Cable. Includes: [HDX-ULT-RX-S, and PS12VD2A-WLLMNT]

[www.smartavi.com](http://www.smartavi.com)

Tel: (800) AVI-2131 • (702) 800-0005  
 2455 W Cheyenne Ave, Suite 112  
 North Las Vegas, NV 89032

**Smart-AVI**  
 SMART AUDIO VIDEO INNOVATION