

# HDX-LX

## 4K HDMI & IR EXTENDER OVER CAT5E/6



**WATCH AND CONTROL HDTV 4K VIDEO UP TO 250FT FROM  
THE SOURCE VIA CAT5E/6**

### FEATURES

- Extends HDMI Output over one Cat5e/6 Cable
- Extends IR Control Signals for Remote Control
- Delivers Uncompressed HD Video up to 1080p/60Hz and 4K/30Hz 3D
- Data Signals up to 3.4Gbps
- HDMI 1.3 and HDCP Compliance
- Uses Bi-Directional IR Communication
- Transmits High-Quality Dolby TrueHD, DTS-HD MA Audio Signals
- Transmits 4K Resolution Video up to 250 ft

### APPLICATIONS

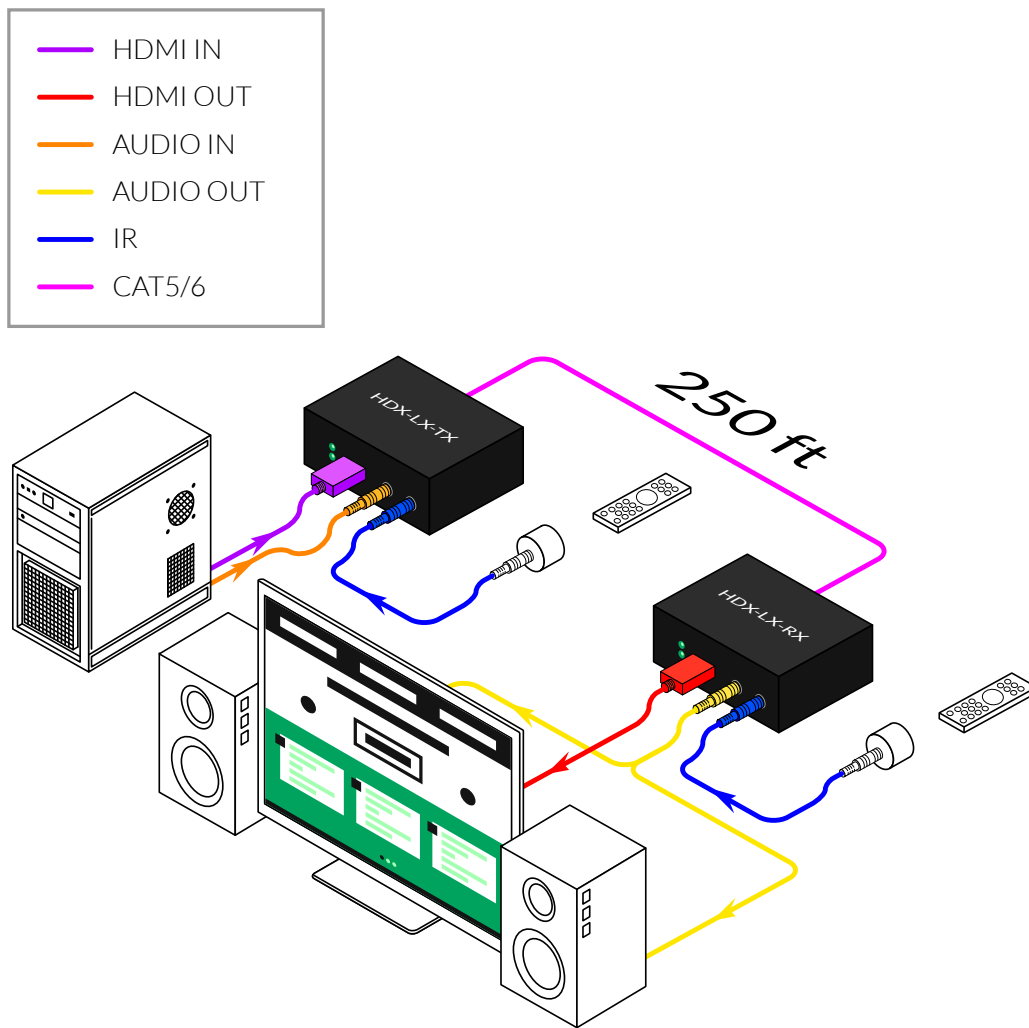
- Home Theater
- Corporate/Educational Presentations
- Call Centers
- Industrial (Long-Range Workstation Isolation)
- Information Terminals/Kiosks
- Airport Installations  
(Air Traffic Control/Passenger Information)
- Educational Environments with Remote Displays



**Designed and Manufactured in the USA**

# OVERVIEW

The HDX-LX uses a single Cat5e/6 cable to extend HDMI signals – including high-definition TV – up to 250ft (75m) from the source. It is capable of transmitting high-resolution HD video up to 4K. Controlling a video source is easy with the device's bi-directional IR extension. Whether it's for a home entertainment system or a commercial installation, the HDX-LX delivers flexibility and control with high-quality video and audio.



# EXTEND FOR ANY APPLICATION IN ANY ENVIRONMENT

## SECURITY

When managing content in high-security environments, creating a safe and secure control room is critical. In the vast majority of such applications, that requires routing signals from a server room, where the computers are safely stored, to a control room, where approved personnel access the data and video feeds. Whether that's in a security surveillance center, an operations control room or some other security-related environment, being able to extend video, audio and USB is a must.

The HDX-LX provides system architects with the flexibility they need to create secure environments for servers as well as the end users accessing those computers. And with video signal extension, users can manage their connected computers with expanded display options, enabling them to stay in control of their content at all times.

## DIGITAL SIGNAGE

Managing a multi-screen digital signage solution requires some important foresight regarding the signal path to those informative and attractive displays. Particularly when it comes to properly scheduled, updated and managed content being displayed, it's much more efficient to keep all of the digital signage hardware in one central location and to extend the video signals out from there.

That means signal extension is an important part of a smart digital signage solution, and the HDX-LX gives users the flexibility they want and need to place their digital signage screens in the right locations to maximize their effectiveness.

## AUDIO AND VISUAL RECORDING

For users in the recording arts, maintaining the utmost in signal and recording fidelity is an absolute necessity. For video recording, it is often important that no unsightly computers are visible. Similarly, audio engineers must keep noisy computers away from the rooms where recording happens to ensure the final product sounds professional. In both such instances, the HDX-LX gives users the ideal way to keep their servers or computers away from areas that audio or video recording is being done, ensuring a better final product.

## EXTENDER UNITS



HDX-LX-TX Front



HDX-LX-TX Back



HDX-LX-RX Front



HDX-LX-RX Back

# TECHNICAL SPECIFICATIONS

| VIDEO                 |   |
|-----------------------|---|
| Format                | HDMI  |
| Input Interface (TX)  | (1) HDMI 19-pin (female)  |
| Output Interface (RX) | (1) HDMI 19-pin (female)  |
| Resolution            | 800X600, 1024X768 , 1280X1024, 1366X768, 1920X1200, 480i, 720p, 1080i, 1080p, 4K and 3D |
| Color Depth           | Deep Color 36/30/24 Bit at 1080p and 3D   |
| Video Bandwidth       | 10.2Gbps  |
| Input Video Signal    | 1.2 Volts P-P   |
| Input DDC Signal      | 5 Volts(TTL)  |

| AUDIO  |  |
|--------|--|
| Format | Up to PCM 8 channel, Dolby Digital TrueHD, and DTS-HD Master Audio |

| IR               |                |
|------------------|----------------|
| Input Interface  | (1) 3.5mm Jack |
| Output Interface | (1) 3.5mm Jack |

| PART NO.    | DESCRIPTION  |
|-------------|--|
| HDX-LX-S    | HDMI and IR via CAT5/5e/6 Extender. Includes: [HDX-LX-TX-S, HDX-LX-RX-S, 2 x (PS5VD2A-WLLMNT)] |
| HDX-LX-TX-S | HDMI and IR via CAT5/5e/6 Transmitter. Includes: [HDX-LX-TX-S and PS5VD2A-WLLMNT]              |
| HDX-LX-RX-S | HDMI and IR via CAT5/5e/6 Receiver. Includes: [HDX-LX-RX-S and PS5VD2A-WLLMNT]                 |

| SYSTEM           |               |
|------------------|---------------|
| Input Interface  | (1) RJ45 Jack |
| Output Interface | (1) RJ45 Jack |

| OTHER                 |                                |
|-----------------------|--------------------------------|
| Power                 | External 5VDC 2A               |
| Dimensions            | 0.9" H x 2.9" W x 3.7" D       |
| Weight                | 0.26 lb                        |
| Certificate           | FCC, CE, RoHS                  |
| Power Adapter         | UL, CE, FCC, RoHS              |
| Operating Temperature | 0 to +40° C (+32° to 104° F)   |
| Storage Temperature   | -20° to +60°C (-4° to +140° F) |
| Humidity              | 10% to 85% (Non-condensing)    |

[www.smartavi.com](http://www.smartavi.com)

Tel: (800) AVI-2131 • (702) 800-0005  
 2455 W Cheyenne Ave, Suite 112  
 North Las Vegas, NV 89032

**Smart-AVI**  
 SMART AUDIO VIDEO INNOVATION