

HDC-IR

IR CAT5 POINT TO POINT EXTENDER



ONE CAT5 TO BROADCAST IR UP TO 1000FT (300M) AWAY

FEATURES

- Uses easy to install, inexpensive CAT5/5e/6/7/8
- Output reaches up to 1000 feet (300m)
- Sends IR and Power signals over CAT5
- Built-in lightning, power surge and transient protection
- High ground loop immunity
- Compact enclosure
- Optional power supply for remote unit
- Fully compliant with standard modulated IR and the latest IRDA
- Fully transparent path for all protocols and data transfers
- Bi-directional IR

APPLICATIONS

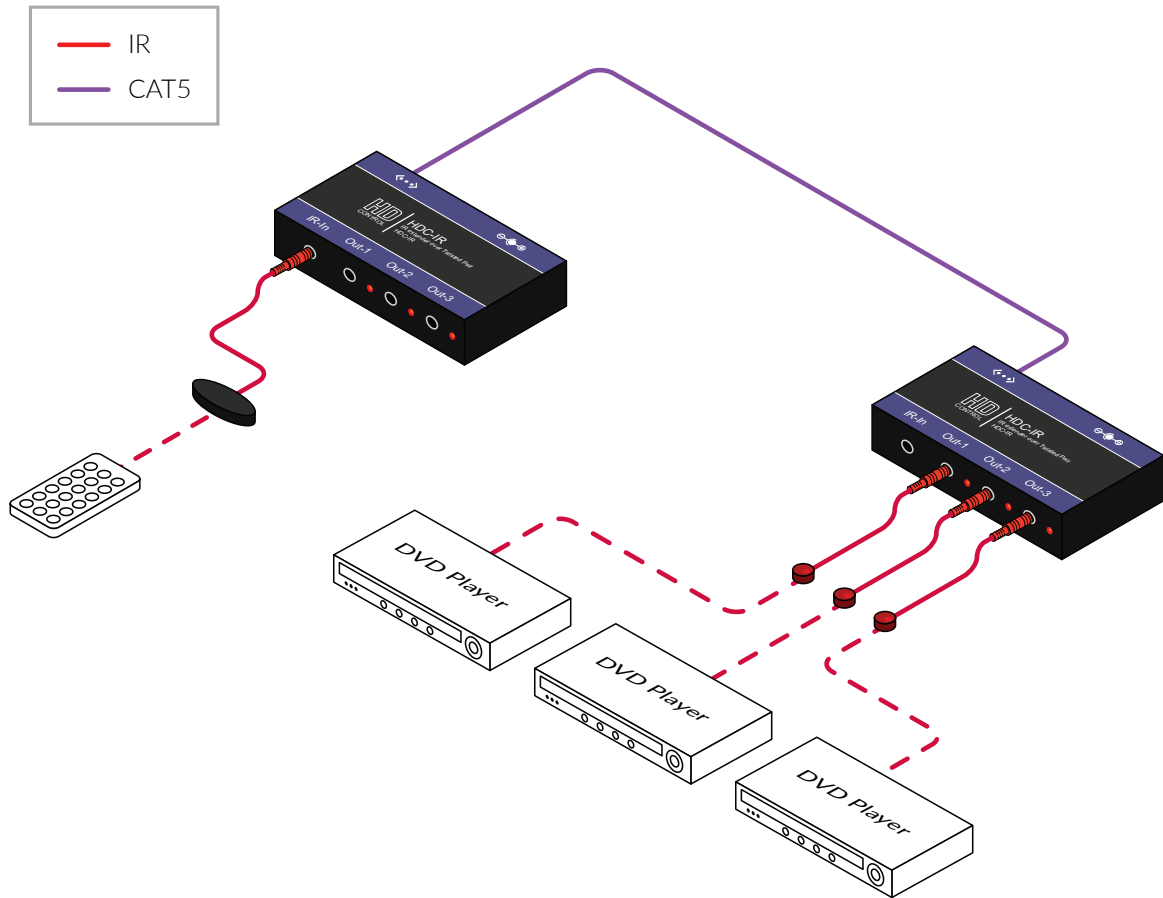
- Hotels
- Cable TV remote control
- Control rooms
- Remote On-Digital set-top control
- Sky box control extension
- Dealer rooms
- Point of Sale
- Remote VCR control
- Home use



Designed and Manufactured in the USA

OVERVIEW

The HDC-IR range of products allow the extension of Infra Red control signals using single CAT5 UTP (category 5, unshielded twisted pair) cable. The HDC-IR is the first product for this application..



HDC-IR can be used 2 ways:

1. Enabling the remote side to control the DVD, or any other source device. (the IR eye would be connected at the remote).
2. Enabling the source side to turn off or on the remote TV/Monitor (the IR eye would be connected at the source).

APPLICATION

Hotels, Cable TV remote control, Control rooms, Remote On-Digital set-top control, Sky box control extension, Dealer rooms, Point of Sale, Remote VCR control, Home use.

DATA BROADCASTING

Data such as news, stock prices, sports results, and flight information can be broadcast in real time to various monitors and/or speakers.

LEARNING AND TRAINING

HDC-IR can be used in educational presentations to multiple locations, in schools and in other training facilities.

EXTENDER UNITS



HDC-IR Front



HDC-IR Back

Many leading businesses have already recognized the innovation of SmartAVI's technologies and have eagerly implemented them. Users of SmartAVI technology include among others.



TECHNICAL SPECIFICATIONS

IR EYE	
IR Frequency Range	30 KHz to 80 KHz
Capture Distance	Up to 25'
Cable Connector	3.5 mm stereo jack
IR Signal Indicator	Green LED

IR EMITTER	
IR Frequency Range	30 KHz to 80 KHz
Emitter Distance	Up to 10'
Cable Connector	3.5 mm mono jack
IR Signal Indicator	Red LED

OTHER	
Power	12VDC 2A
Cable Link	CAT5 568A or 568B
Dimensions	2.5" W x 2.5" D x 1.0" H
Weight	.25lb
Operating Temperature	0-55 °C (32-131 °F)
Storage Temperature	20-85 °C (-4-185 °F)
Humidity	Up to 95%

PART NO.	DESCRIPTION
HDC-IR-S	IR CAT5 Point to Point. Includes: [2 x (HDC-IR), SM-LED, SM EYE and 2 x (PS12VDC2A-WLLMNT)]

www.smartavi.com

Tel: (800) AVI-2131 • (702) 800-0005
 2455 W Cheyenne Ave, Suite 112
 North Las Vegas, NV 89032

Smart-AVI
 SMART AUDIO VIDEO INNOVATION