

DVS4P

4-PORT DVI SPLITTER



USER MANUAL

DVS4P	4-Port DVI Splitter.
-------	----------------------

Smart-AVI

1-888-994-7427
www.smartavi.com

OVERVIEW

TECHNICAL SPECIFICATIONS	3
WHAT'S IN THE BOX?	4
FRONT AND BACK	4
INSTALLATION	5
OPERATION FOR CASCADE	5
TROUBLESHOOTING	6
TECHNICAL SUPPORT	6
LIMITED WARRANTY STATEMENT	7

TECHNICAL SPECIFICATIONS

VIDEO	
Format	DVI 1.0
Input interface	(1) DVI Female
Output interface	(4) DVI Female
Resolution	Up to 1920 x 1200 60 Hz
Cable Distance	Up to 10 m
OTHER	
Power Adapter	DC5V/1.5A
Dimensions	7.38" L x 3.56" W x 1.56" H
Weight (TX/RX)	.65 lbs
Operating temperature	32-131 °F (0-55 °C)
Storage temperature	-4-185 °F (-20-85 °C)
Humidity	Up to 95% (non-condensing)

WHAT'S IN THE BOX?

PART NO.	Q-TY	DESCRIPTION
DVS4P	1	4-Port DVI Splitter
PS5VDC2A	1	5V DC 2 A
User Manual	1	

FRONT AND BACK



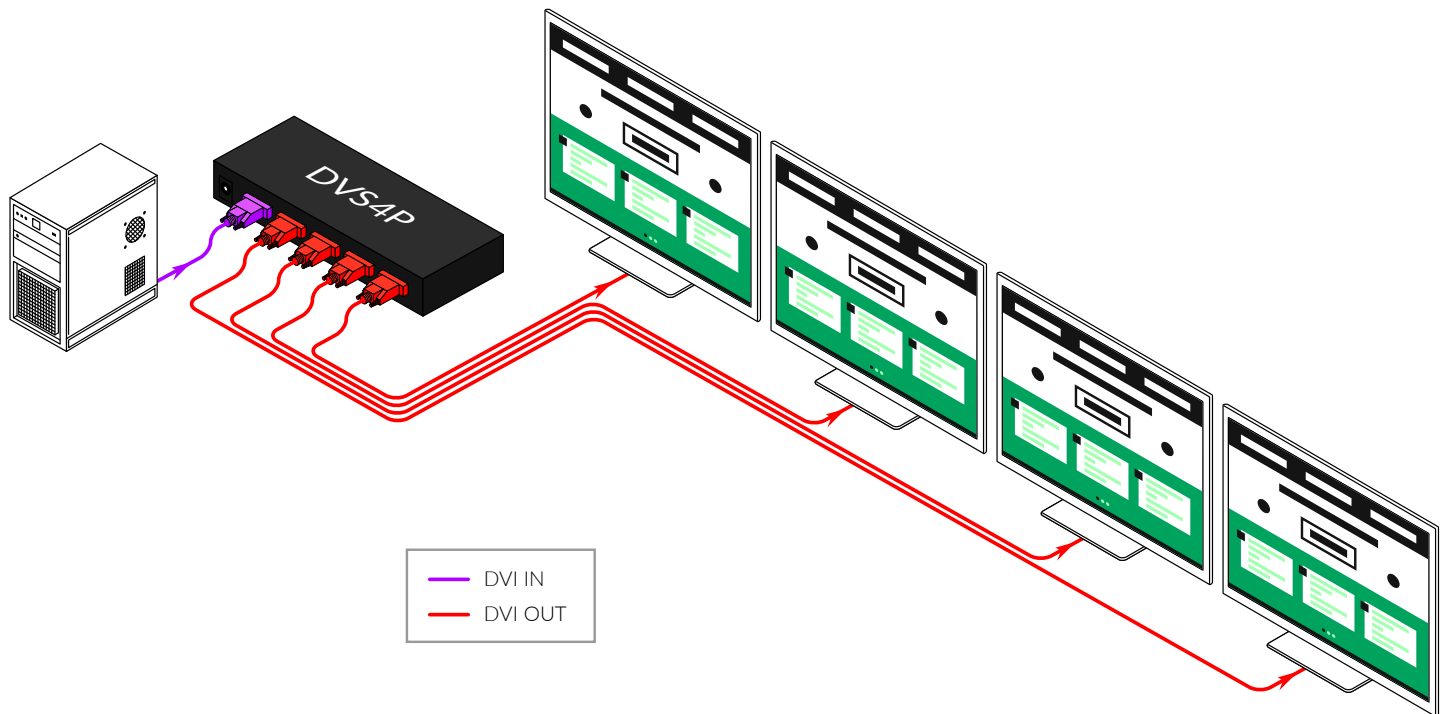
DVS4P Front Panel



DVS4P Back Panel

INSTALLATION

1. Turn off the power of all devices (computer, monitors and splitter).
2. Connect the video source's DVI output port to the splitter DVI input port using standard DVI cable.
3. Connect the video source's DVI output port to the splitter DVI output port.
4. Plug the power supply into the DVI splitter.
5. Plug the power supply into the wall outlet or power bar. Check to see if the power LED light is active on the front of the DVI splitter.
6. Turn on the displays.
7. Turn on the video source.



OPERATION FOR CASCADE

If you need to add more monitors, you need to attach an addition splitter box.

Connect a DVI male/male extension cable between a Video Out port or the primary splitter (the splitter connected to the computer) and the Video In port on the cascaded splitter.

NOTE: Even though you can cascade the splitter, the image might become unstable if you cascade too many tiers of splitters.

TROUBLESHOOTING

No Power

- Make sure that the power adapter is securely connected to the power connector of the unit.
- Check the output voltage of the power supply and make sure that the voltage value is around 5VDC.
- Replace the power supply.

No Video

- Check if all the video cables are connected properly.
- Connect the computer directly to the monitor to verify that your monitor and computer are functioning properly.
- Try replacing the video cable.
- Restart the computers.

TECHNICAL SUPPORT

For product inquiries, warranty questions, or technical questions, please contact info@smartavi.com.

LIMITED WARRANTY STATEMENT

A. Extent of limited warranty

SmartAVI, Inc. warrants to the end-user customers that the SmartAVI product specified above will be free from defects in materials and workmanship for the duration of 1 year, which duration begins on the date of purchase by the customer. Customer is responsible for maintaining proof of date of purchase.

SmartAVI limited warranty covers only those defects which arise as a result of normal use of the product, and do not apply to any:

- a. Improper or inadequate maintenance or modifications
- b. Operations outside product specifications
- c. Mechanical abuse and exposure to severe conditions

If SmartAVI receives, during applicable warranty period, a notice of defect, SmartAVI will at its discretion replace or repair defective product. If SmartAVI is unable to replace or repair defective product covered by the SmartAVI warranty within reasonable period of time, SmartAVI shall refund the cost of the product.

SmartAVI shall have no obligation to repair, replace or refund unit until customer returns defective product to SmartAVI.

Any replacement product could be new or like new, provided that it has functionality at least equal to that of the product being replaced.

SmartAVI limited warranty is valid in any country where the covered product is distributed by SmartAVI.

B. Limitations of warranty

To the extent allowed by local law, neither SmartAVI nor its third party suppliers make any other warranty or condition of any kind whether expressed or implied with respect to the SmartAVI product, and specifically disclaim implied warranties or conditions of merchantability, satisfactory quality, and fitness for a particular purpose.

C. Limitations of liability

To the extent allowed by local law the remedies provided in this warranty statement are the customers sole and exclusive remedies.

To the extent allowed by local law, except for the obligations specifically set forth in this warranty statement, in no event will SmartAVI or its third party suppliers be liable for direct, indirect, special, incidental, or consequential damages whether based on contract, tort or any other legal theory and whether advised of the possibility of such damages.

D. Local law

To the extent that this warranty statement is inconsistent with local law, this warranty statement shall be considered modified to be consistent with such law.



NOTICE

The information contained in this document is subject to change without notice. SmartAVI makes no warranty of any kind with regard to this material, including but not limited to, implied warranties of merchantability and fitness for particular purpose. SmartAVI will not be liable for errors contained herein or for incidental or consequential damages in connection with the furnishing, performance or use of this material. No part of this document may be photocopied, reproduced, or translated into another language without prior written consent from SmartAVI, Inc.

20180109

Tel: (888)-994-7427 • (702)-800-0005
2455 W Cheyenne Ave, Suite 112
North Las Vegas, NV 89032

www.smartavi.com