

DPX-XT

4K DISPLAYPORT WITH USB 2.0 KVM EXTENDER



EXTEND DIGITAL VIDEO (DISPLAYPORT 4K30HZ), USB 2.0, USB KEYBOARD/MOUSE AND AUDIO UP TO 330 FT (100 M) OVER A SINGLE CAT5E/6/6A UNCOMPRESSED

FEATURES

- Extends DisplayPort 1.1 and 1.2, USB 2.0 and audio up to 330 ft (100 m) from the source
- Supports up to 3840x2160 digital video resolution @ 30Hz
- Uncompressed Video
- Supports keyboard and mouse USB 1.1
- USB 2.0 Transparent
- Carries DP, USB 2.0 and Audio Over a Single CAT 5e/6/6a
- DisplayPort Auxiliary Bypass
- Plug-and-Play Ready

APPLICATIONS

- Digital Signage
- Security
- PC Networking
- Conference Center Systems
- Point of Sale
- Camera Surveillance
- Video Phone
- Control Room Systems
- Recording Studio
- PC KVM Extension



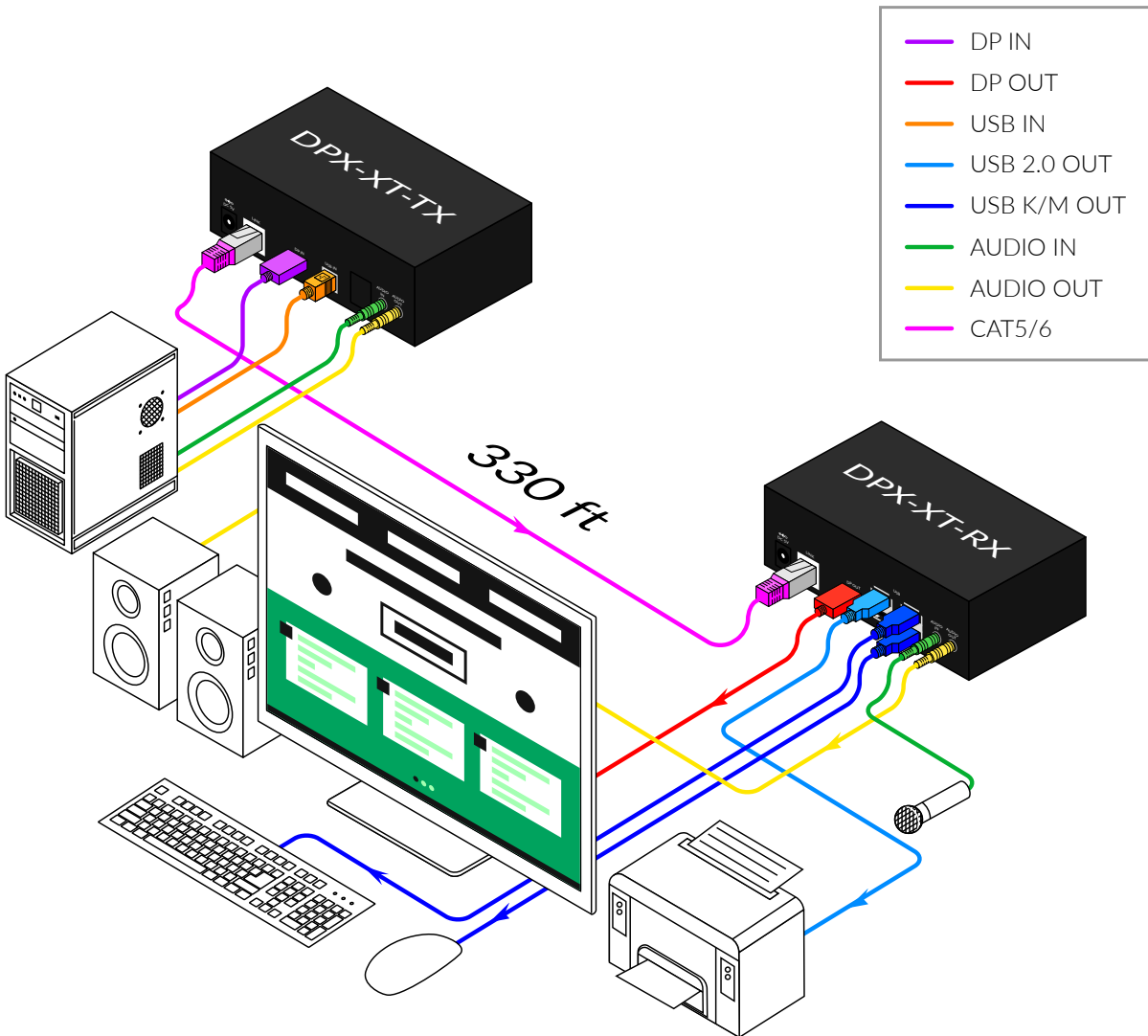
Designed and Manufactured in the USA

WHAT IS THE DPX-XT?

The DPX-XT is an extender supporting DisplayPort video signals at resolutions up to 4K/30Hz, with bi-directional audio and fully-transparent USB 2.0 up to 330 ft.

The DPX-XT is the first extender on the market to feature DP 4K/30Hz, USB 2.0, and full KVM extension on one cohesive system. Its DisplayPort 4K (3840x2160 @ 30Hz) video output is optimized for HD monitors with crystal-clear picture; excellent for detail-driven work.

The DPX-XT extends fully-transparent USB 2.0, supporting keyboard, mouse, flash-drive, digital cameras, printer(s) and a wide variety of other USB 2.0 devices!



REAL WORLD APPLICATIONS

SECURITY

When managing content in high-security environments, creating a safe and secure control room is critical. In the vast majority of such applications, that requires routing signals from a server room, where the computers are safely stored, to a control room, where approved personnel access the data and video feeds. Whether that's in a security surveillance center, an operations control room or some other security-related environment, being able to extend video, audio and USB is a must.

The DPX-XT provides system architects with the flexibility they need to create secure environments for servers as well as the end users accessing those computers. And with dual DisplayPort signal extension, users can manage their connected computers with expanded display options, enabling them to stay in control of their content at all times.

DIGITAL SIGNAGE

Managing a multi-screen digital signage solution requires some important foresight regarding the signal path to those informative and attractive displays. Particularly when it comes to properly scheduled, updated and managed content being displayed, it's much more efficient to keep all of the digital signage hardware in one central location and to extend the video signals out from there.

That means signal extension is an important part of a smart digital signage solution, and the DPX-XT gives users the flexibility they want and need to place their digital signage screens in the right locations to maximize their effectiveness.

AUDIO AND VISUAL RECORDING

For users in the recording arts, maintaining the utmost in signal and recording fidelity is an absolute necessity. For video recording, it is often important that no unsightly computers are visible. Similarly, audio engineers must keep noisy computers away from the rooms where recording happens to ensure the final product sounds professional. In both such instances, the DPX-XT gives users the ideal way to keep their servers or computers away from areas that audio or video recording is being done, ensuring a better final product.

EXTENDER UNITS



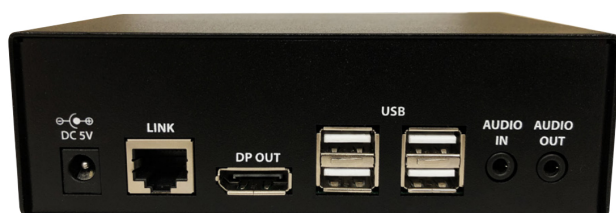
DPX-XT-TX Front



DPX-XT-TX Back



DPX-XT-RX Front



DPX-XT-RX Back

TECHNICAL SPECIFICATION

VIDEO	
Format	DisplayPort 1.1 and 1.2
Maximum Pixel Clock	275 MHz
Input Interface (TX)	(1) DP female
Output Interface (RX)	(1) DP female
Resolution	Up to 3840 x 2160 @ 30 Hz
DDC	via AUX
Input Equalization	Automatic
Input Cable Length	Up to 15 ft.
Output Cable Length	Up to 15 ft.

USB	
Signal Type	USB 1.1 and USB 2.0
Input Interface (TX)	(1) USB Type B (Female)
Output Interface (RX)	(4) USB Type A (Female)

AUDIO	
Frequency	30KHz to 80KHz
Input Interface (TX)	(1) 3.5mm (Female)
Output Interface (RX)	(1) 3.5mm (Female)

OTHER	
Power	External 100-240 VAC/5VDC3A @ 20 W
Dimensions	5.5" W x 1 7/8" H x 3 1/4" D
Weight	1.0lb per TX/RX unit
Operating Temperature	0-55 °C (32-131°F)
Storage Temperature	-20-85 °C (-4-185 °F)
Humidity	Up to 95%

PART NO.	DESCRIPTION
DPX-XT-S	Single Head DisplayPort, USB 2.0, Audio, CAT5/5e/6 Extender. Includes: [DPX-XT-TX-S, DPX-XT-RX-S, 2 X (PS5VD3A-WMT)]
DPX-XT-TX-S	Single Head DisplayPort, USB 2.0, Audio, CAT5/5e/6 Transmitter. Includes: [DPX-XT-TX-S, PS5VD3A-WMT]
DPX-XT-RX-S	Single Head DisplayPort, USB 2.0, Audio, CAT5/5e/6 Receiver. Includes: [DPX-XT-RX-S, PS5VD3A-WMT]

www.smartavi.com

Tel: (800) AVI-2131 • (702) 800-0005
 2455 W Cheyenne Ave, Suite 112
 North Las Vegas, NV 89032

Smart-AVI
 SMART AUDIO VIDEO INNOVATION