

# V2V-SC4KUHD

## HDMI 4K CONVERTER AND SCALER



## HDMI 4K CONVERTER AND SCALER

### FEATURES

- Distributes one HDMI sources to 2 displays
- 4K up/down scaling on HDMI output port 2
- Full 4K@60Hz 4:4:4 HDMI 2.0 and HDCP 2.2 compliant
- Supports High-Dynamic-Range (HDR) image
- Independent switch for EDID selections
- Independent switch for Resolution selections with HDMI output port 2
- Support Toslink and 3.5mm jacket audio output

### APPLICATIONS

- Educational presentations
- Corporate Communication
- Business Meetings and Presentations
- Entertainment Venue Enhancement
- Home Entertainment
- Digital Business Displays
- Digital Art Installations
- Source-to-projection Simplification
- Server Monitoring



Designed and Manufactured in the USA

# OVERVIEW

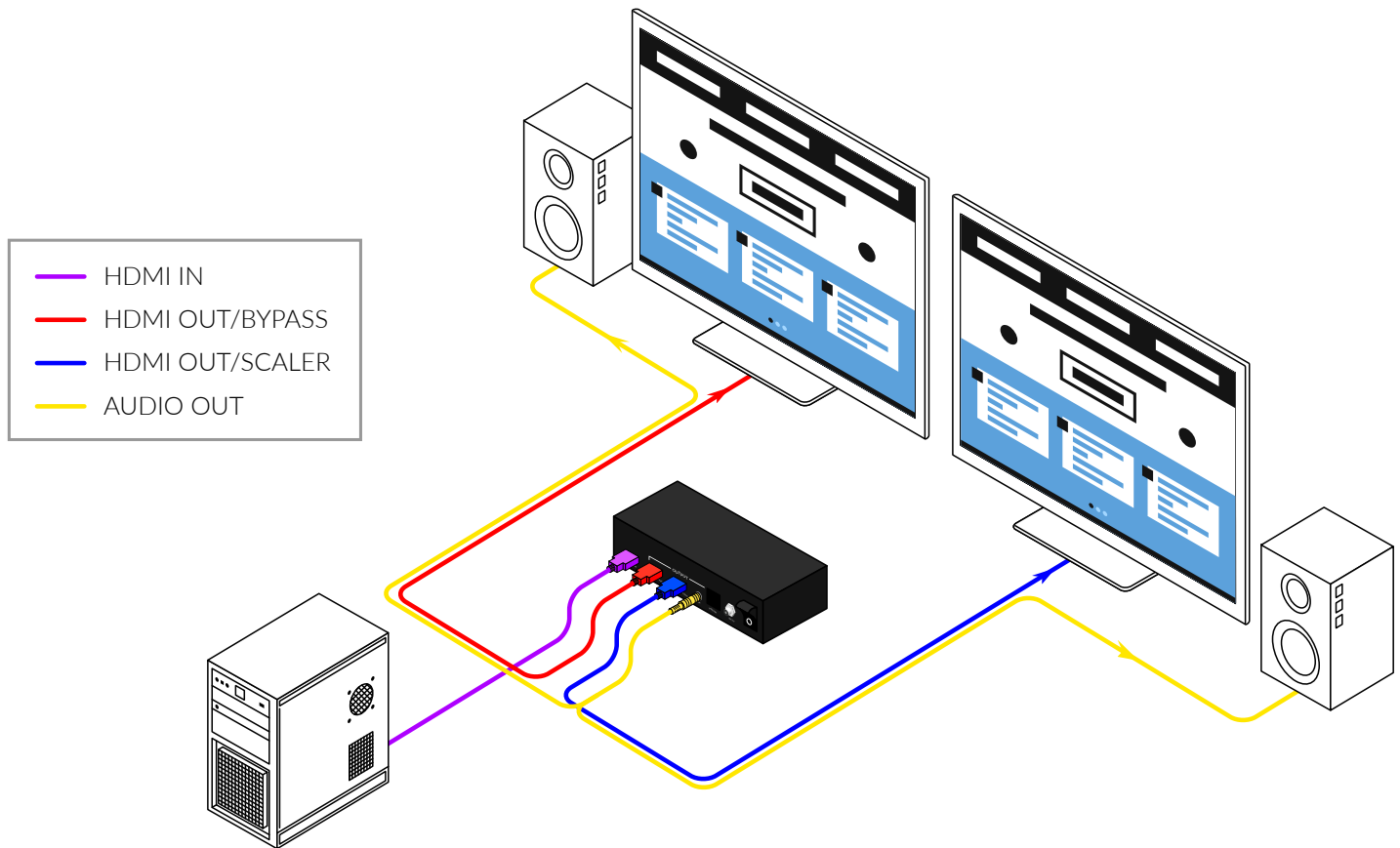
V2V-SC4KUHD is a 1x2 UHD HDMI splitter with UHD Scaler Inside, reliably distributes one HDMI source to 2 HDMI displays and supports HDMI 2.0 and HDCP 2.2. V2V-SC4KUHD integrated a strong video scaling engine, can do up/down scaling from 720p to 3840x2160@60Hz and display on HDMI output port 2.

HDMI output port 1 will directly pass the source to downstream. It also provides EDID management which provides multiple EDID options for various resolutions output, and HDCP management which authenticates HDCP encryption between all devices, ensuring the HDMI source reliably outputs correct content for display.

Additional features, includes input cable equalization and signal regeneration compensation, which reduces the need for additional signal conditioning equipment by compensating for signal loss when using long input cable.

**Note:** When displaying HDMI 4Kx2K/HDR signal, equivalent source signal, output display and HDMI cables are required in order to secure the best image display. It is suggested to use High Speed HDMI cable for 6G HDMI2.0 signal.

# APPLICATION DIAGRAM





V2V-SC4KHD Front



V2V-SC4KHD Back

## KEY BENEFITS

- Threaded power port for locking or standard 5V DC connection
- Front panel LED indication for I/O and Power connectivity
- Automatic input cable equalization and signal regeneration compensation
- Flexible HDCP and Resolution option with HDMI output

# TECHNICAL SPECIFICATIONS

VIDEO	
Input	(1) HDMI (Type A female connector)
Output	(2) HDMI (Type A female connector); (1) TOSLINK, Spdif audio output; (1) 3.5mm jacket, L/R audio output
HDMI	HDMI 2.0/HDCP 2.2
Input resolution support	640 x 480@60Hz, 800x600@60Hz, 1024x768@ 60Hz, 1280x768@60 Hz, 1280x800@60Hz, 1280x960@60Hz, 1280x1024@60Hz, 1360x768@60Hz, 1366x768@60Hz, 1400x1050@60Hz, 1440x900@60Hz, 1600x900@60Hz,
Output resolution support (bypass)	640 x 480@60Hz, 800x600@60Hz, 1024x768@ 60Hz, 1280x768@60 Hz, 1280x800@60Hz, 1280x960@60Hz, 1280x1024@60Hz, 1360x768@60Hz, 1366x768@60Hz, 1400x1050@60Hz, 1440x900@60Hz, 1600x900@60Hz,
Output resolution support (scaling)	1920x1080@60Hz, 3840x2160@30Hz, 3840x2160@60Hz, 1280x720@60Hz, 1024x768@60Hz, 1366x768@60Hz, 1280x1024@60Hz, 1920x1200@60Hz, 1280x1024@60Hz/DVI, 1920x1080@60Hz/DVI
Input Video Level	0.5~1.2 Vp-p
Input DDC Signal	5 Vp-p
Maximum Data Rate	18 Gbps
Max Pixel Clock	600 MHz

OTHER	
Power Supply	100-240 VAC/ 5VDC @ 3A/15W
Dimensions	5.63" W x 3.27" H x 1.02" D
Weight	0.8 lbs
Approvals	CE, FCC, RoHS Compliant
Operating Temperature	+32 to +104°F (0 to +40°C)
Storage Temperature	-4 to 140°F (-20 to +60°C)
Humidity	Up to 80% (No Condensation)
Support Warranty	1-year

PART NO.	DESCRIPTION
V2V-SC4KUHD-S	HDMI 4K Converter and Scaler. Includes: [V2V-SC4KUHD-S, and PS5VD3A]