

SKM-04-PRO

4-PORT KM SWITCH WITH USB 2.0 SHARING, LAN AND AUDIO CONTROL



**MANAGE KEYBOARD AND MOUSE OPERATIONS ON FOUR COMPUTERS
FROM A SINGLE WORKSTATION WITH SUPPORT FOR USB 2.0 SHARING**

FEATURES

- Manage four connected computers
- Dedicated processors for emulation
- Supports independent switching for USB 2.0 devices
- Full keyboard and mouse emulation
- PASS (Progressive Automatic Screen Switching) technology for automatic switching following the user's mouse movement
- Front-panel switching and RS-232 control
- Driverless operation for easy implementation, including multi-head use
- Seamlessly switch between Absolute to Relative mouse mode
- Adjustable Mouse Speed for customizable performance
- Combined Audio support so no alarm is missed
- Power Redundancy for more reliability
- Easily Configure via PC, tablet, or Web UI

APPLICATIONS

- Government Operations
- Defense Applications
- Security Control Rooms
- Corporate Communications
- Server Operations
- Medical Campuses
- Airports



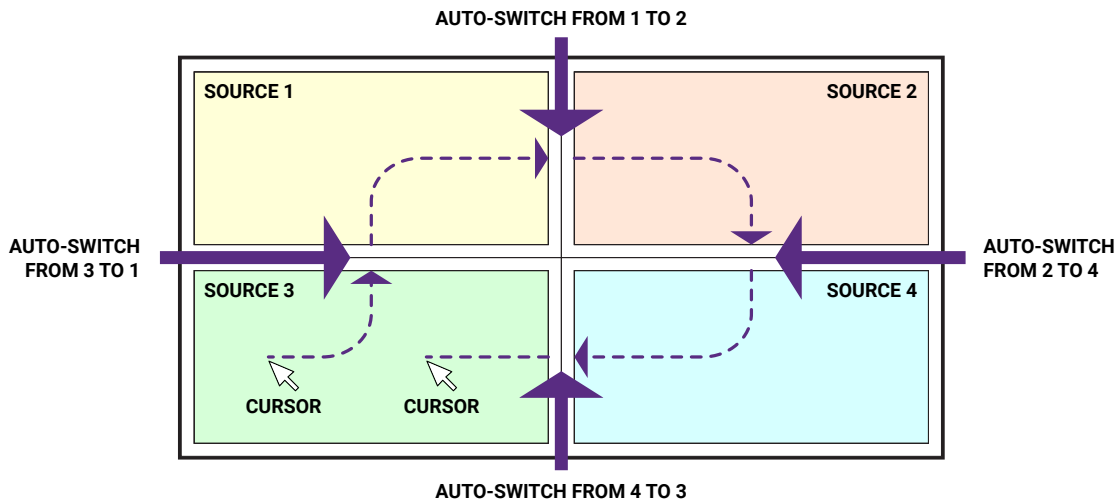
Designed and Manufactured in the USA

THE ULTIMATE MULTI-DISPLAY KM DEVICE

The SKM-04-PRO enables users to manage and switch Keyboard and Mouse (KM) functions between four connected computers, including multi-head computers. It supports multiple displays per computer, enabling users to create the ultimate KM environment. A purpose-built KM switch offers a superior solution to KVM switches, especially when connecting multi-head computers. Monitors are connected directly to each computer and the SKM-04-PRO handles switching between the computers for KM operation.

SEAMLESS INTEGRATION AND OPERATION

The SKM-04-PRO can be used completely driverless in single monitor systems across operating systems. When dealing with Windows-based multi-head systems a simple driver can be loaded, requiring no software to keep updated. The switch is compatible with virtually any computer and all common operating systems and supports all USB 2.0 devices with full KM emulation. Furthermore, the device enables users to control KM functions on connected computers without interrupting other USB peripheral devices connected simultaneously.

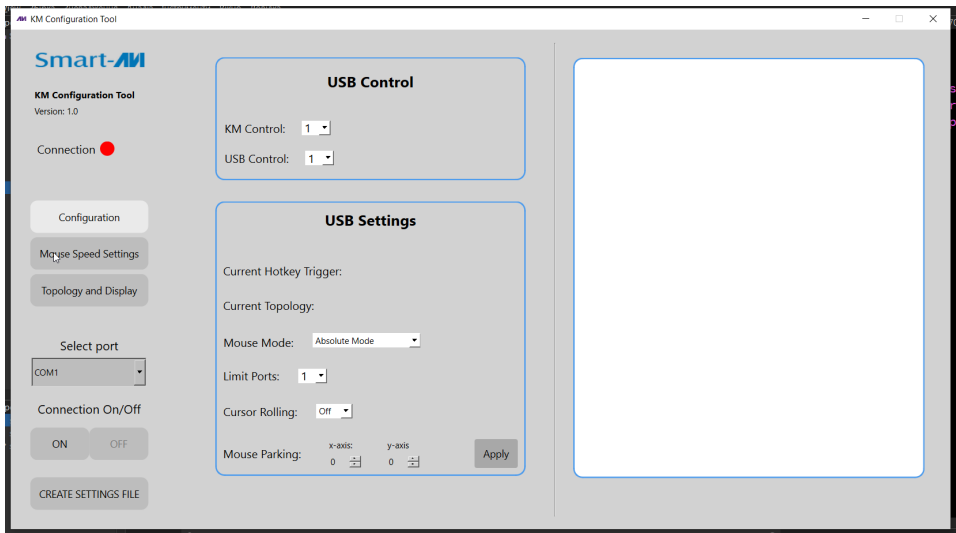


UNPARALLELED CONTROL MADE SIMPLE

Users can switch inputs via the buttons on the front panel or by using hotkeys. The SKM-04-PRO is the first KM device on the market to offer RS-232 control. Users can use SmartAVI's new Progressive Automatic Screen Switching (PASS) technology, which enables the device to automatically switch computers based on the placement of the user's cursor. This quick, efficient, and intuitive technology allows for smooth switching that corresponds to a user's mouse movement. Users can also use Mouse Gesture Switching to change between computers by double clicking the center button on the mouse.

CUSTOMIZABLE CONTROL INTERFACE

The SKM-04-PRO includes an interface for setting customized controls. Users can use a drop-down menu to select a different control configuration, switch between single-head and multi-head display modes, and toggle on/off the PASS function. The SKM-04-PRO offers additional configuration options for display resolution and custom mouse movement settings. In combination with the control settings, the SKM-04-PRO features a drag-and-drop interface for custom display placement. The SKM-04-PRO also features an IP module that empowers the user to access all customization features via a web app. This allows the SKM-04-PRO to go beyond the common KM setup with the integration of non-computer devices, such as tablets and smartphones. SmartAVI's KM Android app gives the user the power to make all control and display changes via a mobile device.



POWER AND AUDIO: CASE STUDY

Some environments, like 911 operations centers, require failover protection so that their computers and displays continue functioning even if there is a loss of electricity. The SKM-04-PRO features dual power inputs for redundant power supplies. These same environments often have audio alarms for the user to monitor. The SKM-04-PRO manages audio inputs from all the connected computers. This includes the capability for combined audio, allowing the user to hear alerts and notifications from all devices, not just the one that is currently selected.

FRONT AND BACK



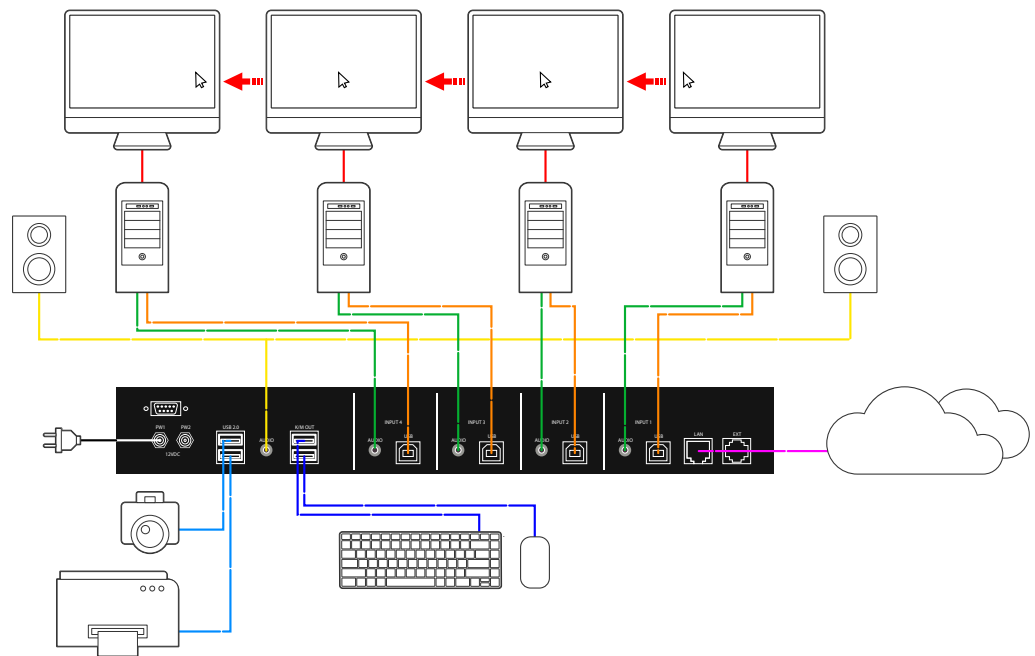
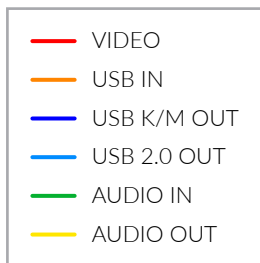
SKM-04-PRO Back



SKM-04-PRO Front

APPLICATION DIAGRAM

Smart-AVI



TECHNICAL SPECIFICATIONS

USB	
Signal Type	USB 2.0, 1.1, and 1.0 w/ internal hub
CPU Ports	(4) USB Type B (female)
User Control Interface	(2) USB Type-A for keyboard and mouse connection only; (2) USB Type-A for USB 2.0 transparent
CONTROL	
Front Panel	Buttons (SELECT audio/video source)
RS232	Via Control @ 115200 bps
Hot Keys	Via Keyboard
Mouse	PASS Technology and Mouse Gesture Switching

AUDIO	
Input Interface	(4) 3.5mm stereo audio
Output Interface	(1) 3.5mm stereo audio
OTHER	
Power	External 100-240 VAC/12VDC2A @ 24W
Dimensions	12.57" W x 1.76" H x 6.69" D
Weight	4.2 lbs
Approvals	UL, CE, ROHS Compliant
Operating Temperature	+32 to +104°F (0 to +40°C)
Storage Temperature	-4 to 140°F (-20 to +60°C)
Humidity	5 to 90% (No Condensation)
Emulation	Keyboard and Mouse

PART NO.	DESCRIPTION
SKM-04-PRO-S	4-Port KM Switch with USB 2.0 Sharing. Includes: [SKM-04-PRO & (PS12VDC2A)]

www.smartavi.com
 Tel: (888) 994-7427 • (702) 800-0005
 2455 W Cheyenne Ave, Suite 112
 North Las Vegas, NV 89032

Smart-AVI
 SMART AUDIO VIDEO INNOVATION