

# HDX-XT SERIES

4K VIDEO AND USB 2.0 KVM EXTENDER



## USER MANUAL

HDX-XT

Single Head HDMI, USB 2.0 and Audio KVM CAT5/6 Extender



Designed and Manufactured in the USA

# Smart-AVI

1-800-284-2131  
www.smartavi.com

# OVERVIEW

TECHNICAL SPECIFICATIONS	3
WHAT'S IN THE BOX?	4
FRONT AND BACK	4
INSTALLATION	5
LED'S BEHAVIOUR	6
TROUBLESHOOTING	7
TECHNICAL SUPPORT	7
LIMITED WARRANTY STATEMENT	8

# TECHNICAL SPECIFICATIONS

VIDEO	
Format	HDMI2.0
Maximum Pixel Clock	Single-link 340 MHz (10.2 Gbps)
Input Interface (TX)	(1) HDMI, (1) LAN, (1) USB-H, (1) IR-IN, (1) RS-232, (1) Optical (Spdif in), (1) Audio In
Output Interface (TX)	(1) IR Out, (1) Optical (Spdif out), (1) Extender Out, (2) USB-D
Input Interface (RX)	(1) IR In, (1) Optical (Spdif In), (1) Extender, (1) USB-H
Output Interface (RX)	(1) HDMI, (1) LAN, (2) USB, (1) IR Out, (1) Audio Out, (1) RS-232, (1) Optical (Spdif out)
Resolution	480p, 720p, 1080i, 1080p/60Hz, 4K/30Hz
Max Output Distance	1080p@60 100m (330ft) [CAT5/5e/6]; 4K2K (4:2:0 8bit) 45m (148ft) [CAT5/5e/6]
DDC	5 Volts [peak-to-peak, TTL]
Input Equalization	Automatic
Data Rate	1.65 Gbps per color
AUDIO	
Format	HDMI
Input Interface	3.5 mm Jack Socket (Female)
Output Interface	3.5 mm Jack Socket (Female)
USB	
Input Interface (TX)	(1) USB Type B
Output Interface (RX)	(2) USB 1.1 Type A for KM Devices; (2) USB 2.0 Type A Transparent
Keyboard and mouse	Keyboard and mouse emulation
RS-232	
Format	Full duplex TXD, RXD signal
SYSTEM	
Interface	RJ-45
Cable Requirements	CAT5/5e/6
Maximum Length	330 ft (100 m)
OTHER	
Power Adapter	External 100-240 VAC/5VDC3A @ 15W
Dimensions	6.3" W x 3.8" H x 1.1" D
Weight	1.0 lb (per unit)
Approvals	UL, CE, ROHS Compliant
Operating Temperature	+32 to +104°F (0 to +40°C)
Storage Temperature	-4 to 140°F (-20 to +60°C)
Humidity	Up to 95% (No Condensation)
Compliance EMC	FCC (Class A), CE (Class A), ICES-003
Envr. Compliance	RoHS2 (CE)
Support Warranty	1-year

# WHAT'S IN THE BOX?

PART NO.	Q-TY	DESCRIPTION
HDX-XT	1	Single Head HDMI, USB 2.0, Audio, CAT5/5e/6 Extender.
PS12VD2A-WMT	1	5V DC, 3A (minimum) power adapter with center-pin positive polarity.
	1	User Manual

# FRONT AND BACK



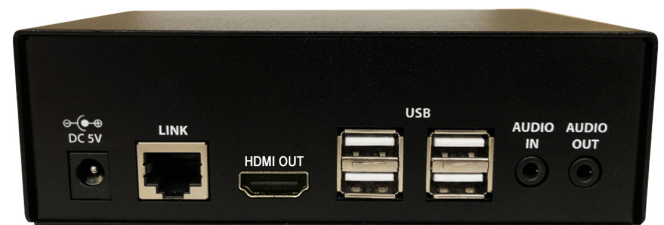
HDX-XT-TX Front



HDX-XT-TX Back



HDX-XT-RX Front



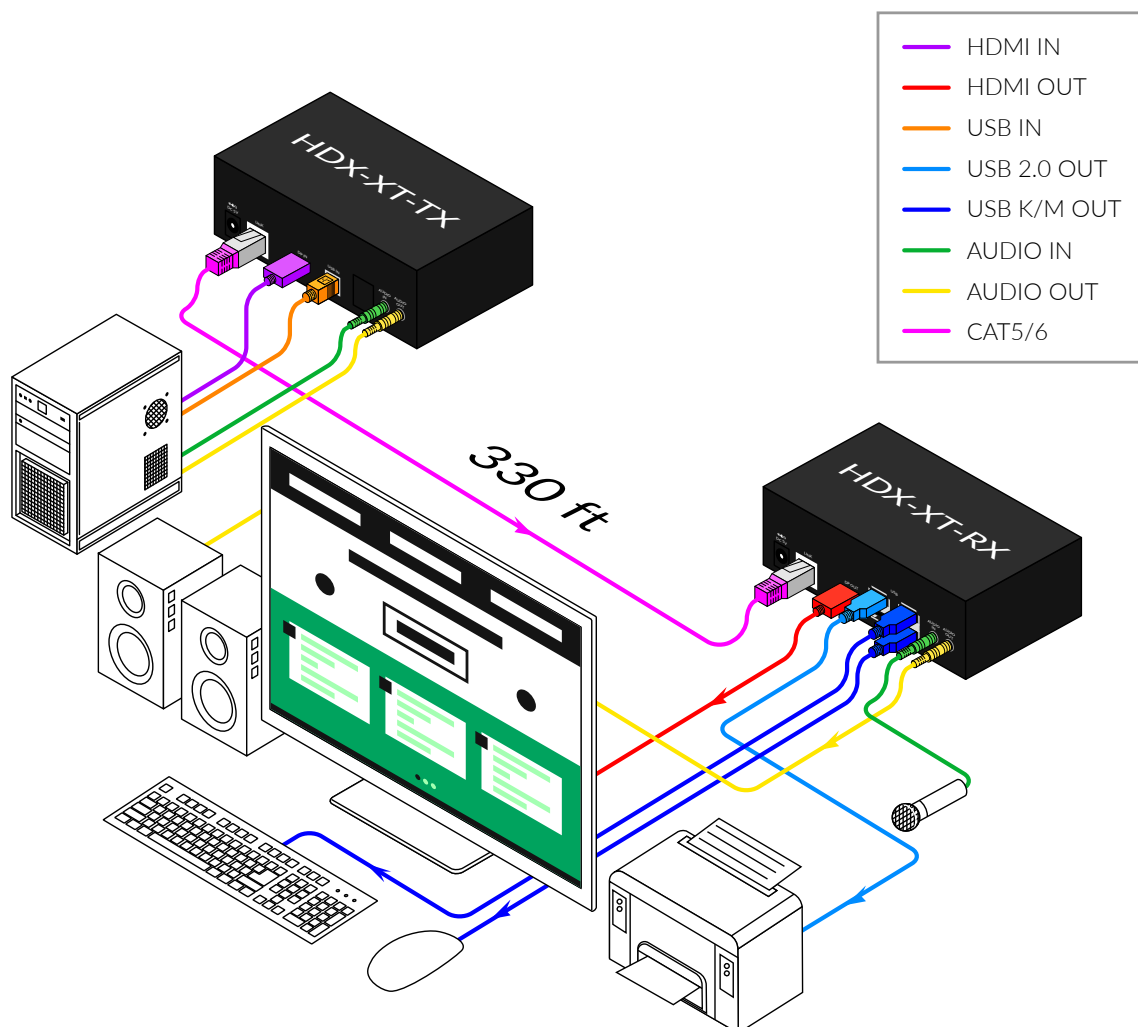
HDX-XT-RX Back

# INSTALLATION

1. Ensure that power is turned off or disconnected from the unit and the computers.
2. Use a HDMI cable to connect the HDMI output port from each computer to the corresponding HDMI IN ports of the unit.
3. Use a USB cable (Type-A to Type-B) to connect a USB port on each computer to the respective USB ports of the unit.
4. Optionally connect a stereo audio cable (3.5mm to 3.5mm) to connect the audio output of the computers to the AUDIO IN ports of the unit.
5. Connect a monitor to the HDMI OUT console port of the unit using a HDMI cable.
6. Connect a USB keyboard and mouse in the two USB console ports.
7. Optionally connect stereo speakers to the AUDIO OUT port of the unit.
8. Finally, power on the KVM by connecting a 5VDC power supply to the power connector, and then turn on all the computers.

## APPLICATION DIAGRAM HDX-XT

The HDX-XT is a Single-Head HDMI 4K/30Hz, USB 2.0, USB 1.1 keyboard-mouse and stereo audio extender, sending signals up to 330 ft (100 m) away over two conventional and inexpensive CAT5/5e/6 cables.



# LED'S BEHAVIOR

NAME	DESCRIPTION
PWR	Solid red LED when power is connected
Link	Solid green LED when cat5 is connected
FW	Blinking green LED when transferring information between unit and computer

# TROUBLESHOOTING

## No Power

- Make sure that the power adapter is securely connected to the power connector of the unit.
- Check the output voltage of the power supply and make sure that the voltage value is around 12VDC.
- Replace the power supply.

## No Video

- Check if all the video cables are connected properly.
- Connect the computer directly to the monitor to verify that your monitor and computer are functioning properly.
- Restart the computers.

## Keyboard is not working

- Check if the keyboard is properly connected to the unit.
- Check if the USB cables connecting the unit and the computers are properly connected.
- Try connecting the USB on the computer to a different port.
- Make sure that the keyboard works when directly connected to the computer.
- Replace the keyboard.

## Mouse is not working

- Check if the mouse is properly connected to the unit.
- Try connecting the USB on the computer to a different port.
- Make sure that the mouse works when directly connected to the computer.
- Replace the mouse.

## No Audio

- Check if all the audio cables are connected properly.
- Connect the speakers directly to the computer to verify that the speakers and the computer audio are functioning properly.
- Check the audio settings of the computer and verify that the audio output is through the speakers.

# TECHNICAL SUPPORT

For product inquiries, warranty questions, or technical questions, please contact [info@smartavi.com](mailto:info@smartavi.com).

# LIMITED WARRANTY STATEMENT

## A. Extent of limited warranty

SmartAVI, Inc. warrants to the end-user customers that the SmartAVI product specified above will be free from defects in materials and workmanship for the duration of 1 year, which duration begins on the date of purchase by the customer. Customer is responsible for maintaining proof of date of purchase.

SmartAVI limited warranty covers only those defects which arise as a result of normal use of the product, and do not apply to any:

- a. Improper or inadequate maintenance or modifications
- b. Operations outside product specifications
- c. Mechanical abuse and exposure to severe conditions

If SmartAVI receives, during applicable warranty period, a notice of defect, SmartAVI will at its discretion replace or repair defective product. If SmartAVI is unable to replace or repair defective product covered by the SmartAVI warranty within reasonable period of time, SmartAVI shall refund the cost of the product.

SmartAVI shall have no obligation to repair, replace or refund unit until customer returns defective product to SmartAVI.

Any replacement product could be new or like new, provided that it has functionality at least equal to that of the product being replaced.

SmartAVI limited warranty is valid in any country where the covered product is distributed by SmartAVI.

## B. Limitations of warranty

To the extent allowed by local law, neither SmartAVI nor its third party suppliers make any other warranty or condition of any kind whether expressed or implied with respect to the SmartAVI product, and specifically disclaim implied warranties or conditions of merchantability, satisfactory quality, and fitness for a particular purpose.

## C. Limitations of liability

To the extent allowed by local law the remedies provided in this warranty statement are the customers sole and exclusive remedies.

To the extent allowed by local law, except for the obligations specifically set forth in this warranty statement, in no event will SmartAVI or its third party suppliers be liable for direct, indirect, special, incidental, or consequential damages whether based on contract, tort or any other legal theory and whether advised of the possibility of such damages.

## D. Local law

To the extent that this warranty statement is inconsistent with local law, this warranty statement shall be considered modified to be consistent with such law.



# Smart-AVI

SMART AUDIO VIDEO INNOVATION

## NOTICE

The information contained in this document is subject to change without notice. SmartAVI makes no warranty of any kind with regard to this material, including but not limited to, implied warranties of merchantability and fitness for particular purpose. SmartAVI will not be liable for errors contained herein or for incidental or consequential damages in connection with the furnishing, performance or use of this material. No part of this document may be photocopied, reproduced, or translated into another language without prior written consent from SmartAVI, Inc.

20180109



**Designed and Manufactured in the USA**

Tel: (800) AVI-2131 • (702) 800-0005  
2455 W Cheyenne Ave, Suite 112  
North Las Vegas, NV 89032

**[www.smartavi.com](http://www.smartavi.com)**