

TECHNICAL SPECIFICATION

VIDEO	
Format	HDMI 2.0
Video Resolution	Up to 3840 x 2160 @ 30 Hz
Video Bandwidth	275 MHz
Input Interface (TX)	(2) HDMI (19-pin female)
Output Interface (RX)	(2) HDMI (19-pin female)
DDC	via AUX
Equalization	Automatic
Input Cable Length	Up to 15 ft.
Output Cable Length	Up to 15 ft.
AUDIO	
Format	Stereo
Frequency	30KHz to 80KHz
Input Interface (TX)	(1) 3.5mm (Female)
Output Interface (RX)	(1) 3.5mm (Female)
USB	
Signal Type	USB 1.1 and USB 2.0
Input Interface (TX)	(1) USB Type B (Female)
Output Interface (RX)	(4) USB Type A (Female)
OTHER	
Power	External 100-240 VAC/5VDC3A @ 15 W
Dimensions	11.9" W x 1.7" H x 2.9" D
Weight	1.75 lb (per unit)
Operating Temp.	0-55 °C (32-131 °F)
Storage Temp.	-20-85 °C (-4-185 °F)
Humidity	Up to 95%

WHAT'S IN THE BOX

PART NO.	Q-TY	DESCRIPTION
HDX-XT-TX	1	Single Head HDMI, USB and Audio CAT5/5e/6 Transmitter
HDX-XT-RX	1	Single Head HDMI, USB and Audio CAT5/5e/6 Receiver
PS5VD3A-WMT	2	PS5VD3A Power Supply
Quick Start Guide	1	

NOTICE

The information contained in this document is subject to change without notice. SmartAVI makes no warranty of any kind with regard to this material, including but not limited to, implied warranties of merchantability and fitness for particular purpose.

SmartAVI will not be liable for errors contained herein or for incidental or consequential damages in connection with the furnishing, performance or use of this material.

No part of this document may be photocopied, reproduced, or translated into another language without prior written consent from SmartAVI Technologies, Inc.



800.AVI.2131, 702.800.0005
2455 W Cheyenne Ave, Suite 112
North Las Vegas, NV 89032

SmartAVI.com

Smart-AVI
SMART AUDIO VIDEO INNOVATION

HDX-XT

**Single Head HDMI,
USB 2.0 and Audio
KVM CAT5/6 Extender**



**EXTEND DIGITAL VIDEO
(SINGLE HEAD HDMI 4K20HZ),
USB 2.0, USB 1.1 KEYBOARD/
MOUSE AND AUDIO
UP TO 330 FT (100 M) OVER
A SINGLE CAT5E/6/6A
UNCOMPRESSED**

Quick Start Guide

ABOUT HDX-XT-2P

The HDX-XT is an extender supporting Single Head HDMI video signals at resolutions up to 4K/30Hz, with bi-directional audio and fully-transparent USB 2.0 up to 330ft.

The HDX-XT is the first extender on the market to feature HDMI 4K/30Hz, USB 2.0, and full KVM extension on one cohesive system. Its HDMI 4K (3840x2160 @ 30Hz) video outputs are optimized for a HD monitor with crystal-clear picture; excellent for detail-driven work.

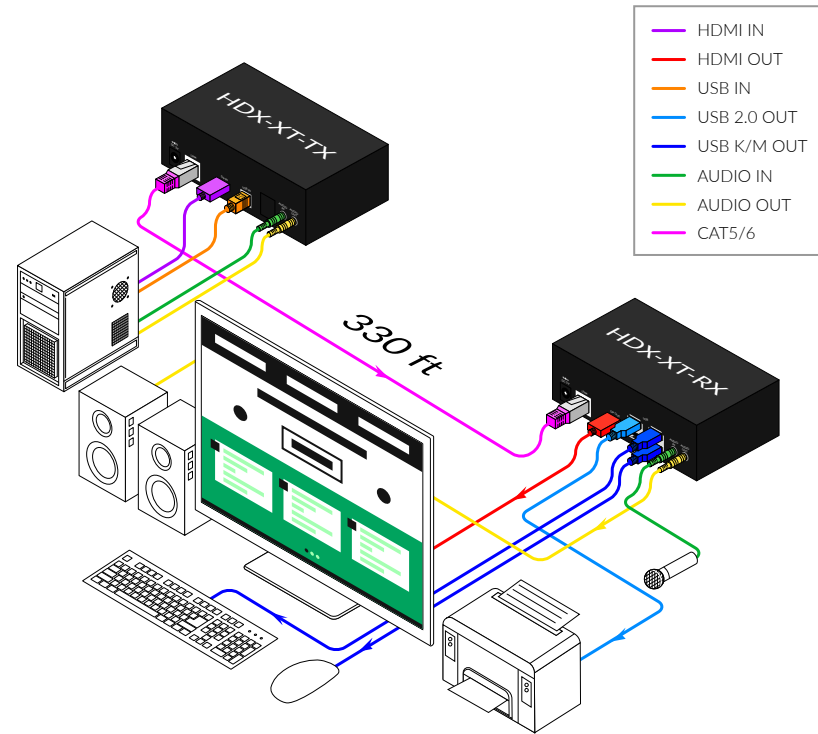
The HDX-XT extends fully-transparent USB 2.0, supporting keyboard, mouse, flash-drive, digital cameras, printer(s) and a wide variety of other USB 2.0 devices!

FEATURES

- Extends Single Head HDMI 2.0, USB 2.0 and audio up to 330 ft (100 m) from the source
- Supports up to 3840x2160 digital video resolution @ 30Hz
- Uncompressed Video
- Supports keyboard and mouse USB 1.1
- USB 2.0 Transparent
- Carries HDMI, USB 2.0 and Audio Over a Single CAT 5e/6/6a
- DisplayPort Auxiliary Bypass
- Plug-and-Play Ready

HARDWARE INSTALLATION

1. Ensure that power is turned off or disconnected from the unit and the computers.
2. Use a HDMI cable to connect the HDMI output port from each computer to the corresponding HDMI IN ports of the unit.
3. Use a USB cable (Type-A to Type-B) to connect a USB port on each computer to the respective USB ports of the unit.
4. Optionally connect a stereo audio cable (3.5mm to 3.5mm) to connect the audio output of the computers to the AUDIO IN ports of the unit.
5. Connect a monitor to the HDMI OUT console port of the unit using a HDMI cable.
6. Connect a USB keyboard and mouse in the two USB console ports.
7. Optionally connect stereo speakers to the AUDIO OUT port of the unit.
8. Finally, power on the KVM by connecting a 5VDC power supply to the power connector, and then turn on all the computers.



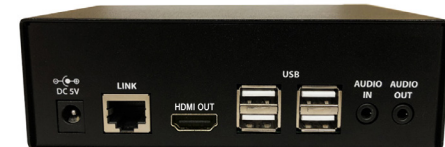
**HDX-XT-TX
FRONT**



**HDX-XT-RX
FRONT**



**HDX-XT-TX
BACK**



**HDX-XT-RX
BACK**