

TECHNICAL SPECIFICATION

VIDEO	
Format	DVI 1.0
Input interface	(1) DVI Female
Output interface	(2) DVI Female
Resolution	Up to 1920 x 1200 60 Hz
Cable Distance	Up to 10 m
OTHER	
Power Supply	DC5V/1.5A
Dimensions	5.3" L x 3" W x 1.7" H
Weight	1 lb
Operating Temp.	32 to 104 °F (0 to 40 °C)
Storage Temp.	-4 to 140 °F (-20 to 60 °C)
Humidity	Up to 95% (non-condensing)

WHAT'S IN THE BOX

PART NO.	Q-TY	DESCRIPTION
DVS2P	1	2-Port DVI Splitter
PS5VDC2A	1	5 V DC 2 A power supply
Quick Start Guide	1	

NOTICE

The information contained in this document is subject to change without notice. SmartAVI makes no warranty of any kind with regard to this material, including but not limited to, implied warranties of merchantability and fitness for particular purpose.

SmartAVI will not be liable for errors contained herein or for incidental or consequential damages in connection with the furnishing, performance or use of this material.

No part of this document may be photocopied, reproduced, or translated into another language without prior written consent from SmartAVI Technologies, Inc.



800.AVI.2131, 702.800.0005
2455 W Cheyenne Ave, Suite 112
North Las Vegas, NV 89032

SmartAVI.com

Smart-AVI
SMART AUDIO VIDEO INNOVATION

DVS2P

2-Port DVI Splitter



**USE A SINGLE PC TO DISPLAY
IDENTICAL IMAGES ON
MULTIPLE DVI MONITORS**

Quick Start Guide

OPERATION FOR CASCADE

If you need to add more monitors, you need to attach an addition splitter box.

Connect a DVI male/male extension cable between a Video Out port or the primary splitter (the splitter connected to the computer) and the Video In port on the cascaded splitter.

NOTE: Even though you can cascade the splitter, the image might become unstable if you cascade too many tiers of splitters.

TROUBLESHOOTING

No Power

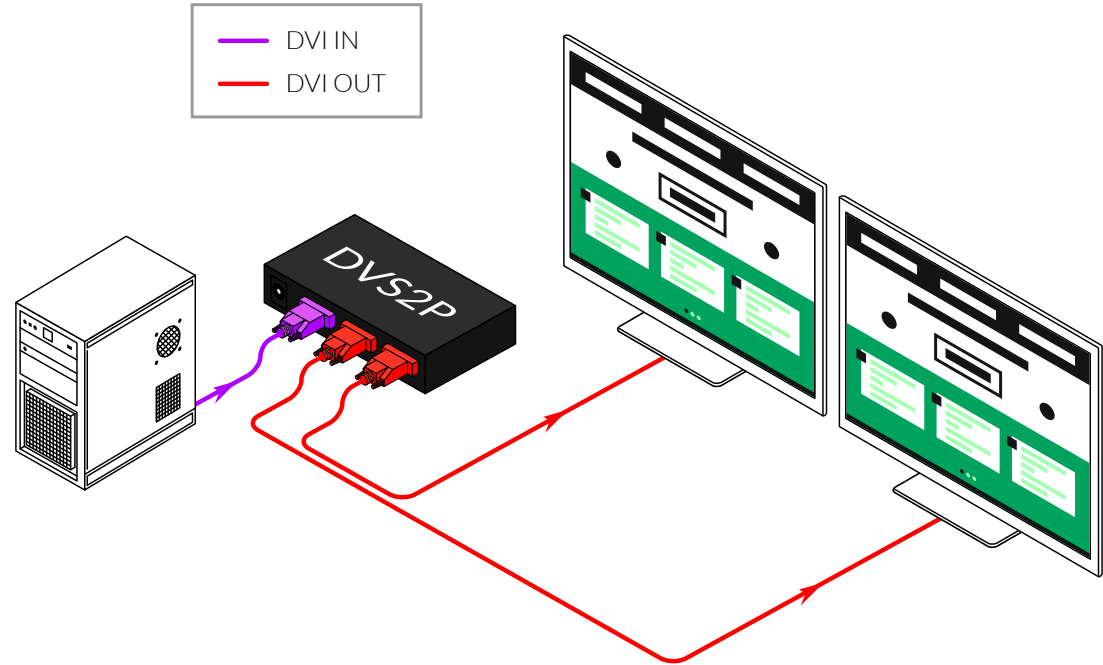
- Make sure that the power adapter is securely connected to the power connector of the unit.
- Check the output voltage of the power supply and make sure that the voltage value is around 5VDC.
- Replace the power supply.

No Video

- Check if all the video cables are connected properly.
- Connect the computer directly to the monitor to verify that your monitor and computer are functioning properly.
- Try replacing the video cable.
- Restart the computers.

HARDWARE INSTALLATION

1. Turn off the power of all devices (computer, monitors and splitter).
2. Connect the video source's DVI output port to the splitter DVI input port using standard DVI cable.
3. Connect the video source's DVI output port to the splitter DVI output port.
4. Plug the power supply into the DVI splitter.
5. Plug the power supply into the wall outlet or power bar. Check to see if the power LED light is active on the front of the DVI splitter.
6. Turn on the displays.
7. Turn on the video source.



DVS2P FRONT



DVS2P FRONT

