

TECHNICAL SPECIFICATION

VIDEO	
Format	DisplayPort 1.1 and 1.2
Video Resolution	Up to 3840 x 2160 @ 30 Hz
Video Bandwidth	275 MHz
Input Interface (TX)	(2) DisplayPort female
Output Interface (RX)	(2) DisplayPort female
DDC	via AUX
Equalization	Automatic
Input Cable Length	Up to 15 ft.
Output Cable Length	Up to 15 ft.
AUDIO	
Format	Stereo
Frequency	30KHz to 80KHz
Input Interface (TX)	(1) 3.5mm (Female)
Output Interface (RX)	(1) 3.5mm (Female)
USB	
Signal Type	USB 1.1 and USB 2.0
Input Interface (TX)	(1) USB Type B (Female)
Output Interface (RX)	(4) USB Type A (Female)
OTHER	
Power	External 100-240 VAC/5VDC4A @ 20 W
Dimensions	11.9" W x 1.7" H x 2.9" D
Weight	1.75 lb (per unit)
Operating Temp.	0-55 °C (32-131 °F)
Storage Temp.	-20-85 °C (-4-185 °F)
Humidity	Up to 95%

WHAT'S IN THE BOX

PART NO.	Q-TY	DESCRIPTION
DPX-XT-2P-TX	1	Dual Head DP, USB and Audio CAT5/5e/6 Transmitter.
DPX-XT-2P-RX	1	Dual Head DP, USB and Audio CAT5/5e/6 Receiver.
PS5VD3A-WMT	2	PS5VD3A Power Supply
Quick Start Guide	1	

NOTICE

The information contained in this document is subject to change without notice. SmartAVI makes no warranty of any kind with regard to this material, including but not limited to, implied warranties of merchantability and fitness for particular purpose.

SmartAVI will not be liable for errors contained herein or for incidental or consequential damages in connection with the furnishing, performance or use of this material.

No part of this document may be photocopied, reproduced, or translated into another language without prior written consent from SmartAVI Technologies, Inc.



800.AVI.2131, 702.800.0005
2455 W Cheyenne Ave, Suite 112
North Las Vegas, NV 89032

SmartAVI.com

Smart-AVI
SMART AUDIO VIDEO INNOVATION

DPX-XT-2P

**Dual Head DisplayPort,
USB 2.0 and Audio
KVM CAT5/6 Extender**



**EXTEND DIGITAL VIDEO
(DUAL HEAD DISPLAYPORT
4K20HZ), USB 2.0, USB 1.1
KEYBOARD/MOUSE AND AUDIO
UP TO 330 FT (100 M) OVER
A SINGLE CAT5E/6/6A
UNCOMPRESSED**

Quick Start Guide

ABOUT DPX-XT-2P

The DPX-XT-2P is an extender supporting Dual Head DisplayPort video signals at resolutions up to 4K/30Hz, with bi-directional audio and fully-transparent USB 2.0 up to 330ft.

The DPX-XT-2P is the first extender on the market to feature DP 4K/30Hz, USB 2.0, and full KVM extension on one cohesive system. Its two DisplayPort 4K (3840x2160 @ 30Hz) video outputs are optimized for HD monitors with crystal-clear picture; excellent for detail-driven work.

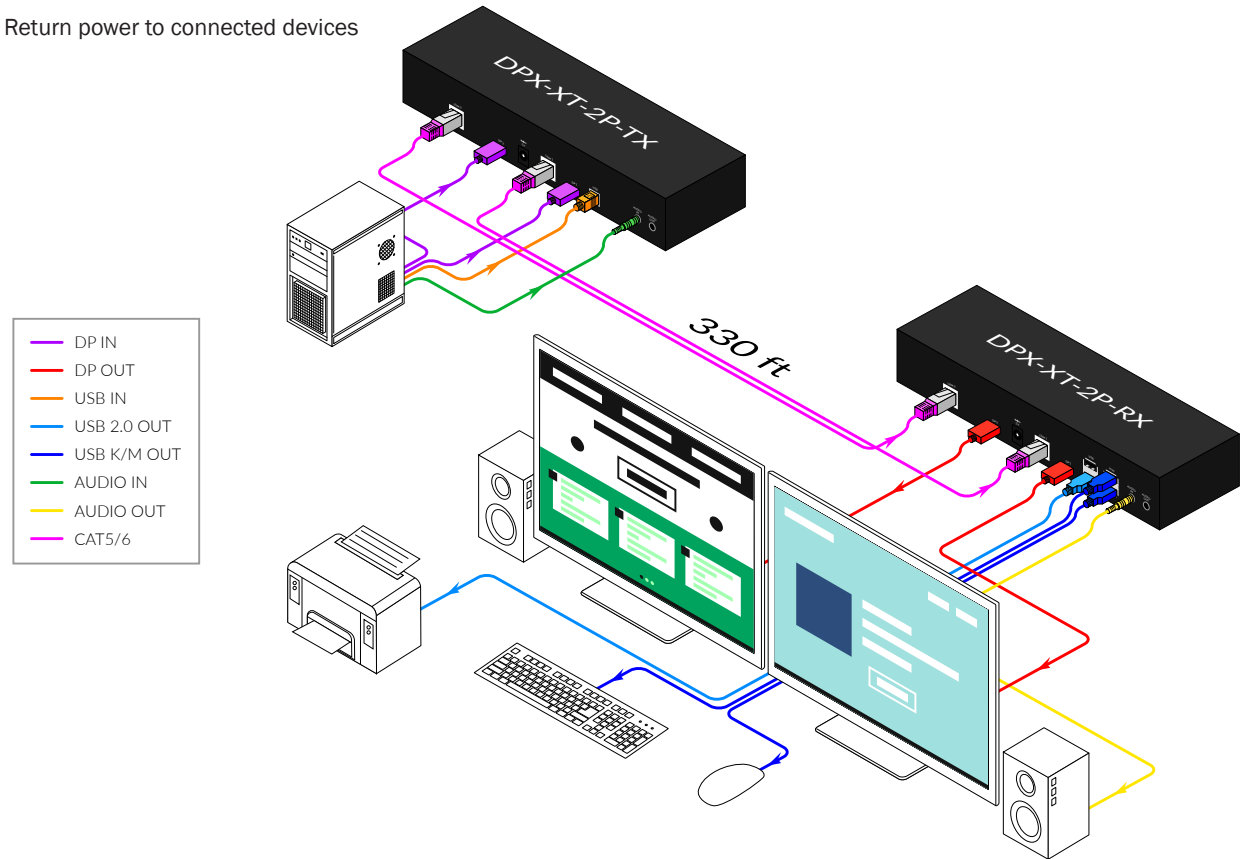
The DPX-XT-2P extends fully-transparent USB 2.0, supporting keyboard, mouse, flash-drive, digital cameras, printer(s) and a wide variety of other USB 2.0 devices!

FEATURES

- Extends Dual Head DisplayPort 1.1 and 1.2, USB 2.0 and audio up to 330 ft (100 m) from the source
- Supports up to 3840x2160 digital video resolution @ 30Hz
- Uncompressed Video
- Supports keyboard and mouse USB 1.1
- USB 2.0 Transparent
- Carries DP, USB 2.0 and Audio Over a Single CAT 5e/6/6a
- DisplayPort Auxiliary Bypass
- Plug-and-Play Ready

HARDWARE INSTALLATION

1. Turn off connected devices
2. Connect cables between signal source device and TX unit's input ports
3. Connect cables between the RX unit's output ports and end-point device
4. Connect TX and RX via CAT5e/6 cable
5. Connect power supply to either TX and RX units
6. Turn on TX and RX units
7. Return power to connected devices



DPX-XT-2P-TX FRONT



DPX-XT-2P-RX FRONT



DPX-XT-2P-TX BACK



DPX-XT-2P-RX BACK

